



# ADVENTURE TUNNEL

## Safety Guide & Assembly Instructions



**We're Here To Help!**

Call Toll Free **1-888-752-9782**  
Customer Service: Monday - Friday, 8:00 A.M. to 5:00 P.M. C.S.T.

**PS 8876**

# SAFETY

- This product is intended for single-family residential use only, by children ages two to ten and a maximum weight of 105 pounds. Any recommendation over 10 years of age or 105 pounds exceeds the upper limits specified in the American Society for Testing and Materials (ASTM) Home Playground Safety Standard. In order for PlayStar to comply with the ASTM Standard, we cannot recommend anyone above these limits.
- It is a misuse of this product when installed or used in places of public assembly such as schools or parks.
- Follow the instructions provided, do not alter its design in any way.
- Construction requires at least two adults capable of heavy lifting.
- Thoroughly read all safety instructions before beginning.
- Children must remain clear of construction site until this product is properly installed and ready for use.
- Save these instructions in the event the manufacturer has to be contacted.

## The Consumer Product Safety Commission provides the following consumer information for your Home Playground Equipment

### Select Protective Surfacing

One of the most important things you can do to reduce the likelihood of serious head injuries is to install shock-absorbing protective surfacing under and around your play equipment. The protective surfacing should be applied to a depth that is suitable for the equipment height in accordance with ASTM F1292. There are different types of surfacing to choose from; whichever product you select, follow these guidelines:

**NOTE: Do not install home playground equipment over concrete, asphalt, packed earth, grass, carpet or any other hard surface. A fall onto a hard surface can result in serious injury or death to the equipment user. Grass and dirt are not considered protective surfacing because wear and environmental factors can reduce their shock absorbing effectiveness. Carpeting and thin mats are generally not adequate protective surfacing. Ground level equipment -- such as a sandbox, activity wall, playhouse or other equipment that has no elevated play surface -- does not need any protective surfacing.**

### Loose-Fill Materials

PlayStar Playsets require fall-height protection from eight feet.

- Maintain a minimum depth of 9 inches of loose-fill materials such as wood mulch / chips, engineered wood fiber (EWF), or shredded/recycled rubber mulch for

equipment up to 8 feet high. NOTE: An initial fill level of 12 inches will compress to about a 9-inch depth of surfacing over time. The surfacing will also compact, displace, and settle, and should be periodically refilled to maintain at least a 9-inch depth.

- Use containment, such as digging out around the perimeter and/or lining the perimeter with landscape edging. Don't forget to account for water drainage.
- Check and maintain the depth of the loose-fill surfacing material. To maintain the right amount of loose-fill materials, mark the correct level on play equipment support posts. That way you can easily see when to replenish and/or redistribute the surfacing.
- **Do not** install loose fill surfacing over hard surfaces such as concrete or asphalt.

### Poured-In-Place Surfaces or Pre-Manufactured Rubber Tiles

You may be interested in using surfacing other than loose-fill materials -- like rubber tiles or poured-in-place surfaces.

- Installations of these surfaces generally require a professional and are not "do-it-yourself" projects.
- Review surface specifications before purchasing this type of surfacing. Ask the installer/manufacturer for a report showing that the product has been tested to the following safety standard: ASTM F1292 *Standard Specification for Impact Attenuation of Surfacing Materials within the Use Zone of Playground Equipment*. This report should show the specific height for which the surface is intended to protect against serious head injury.

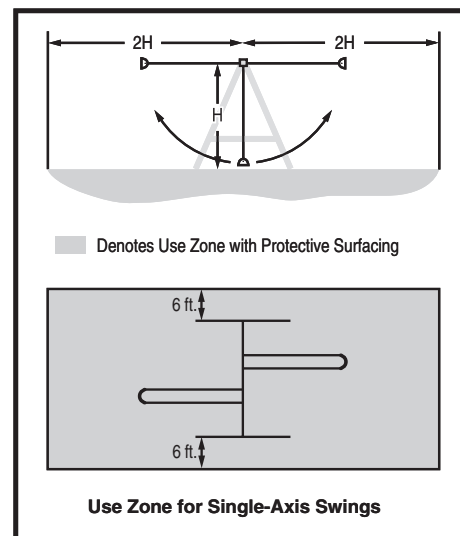
This height should be equal to or greater than the *fall height* - vertical distance between a designated play surface (*elevated surface for standing, sitting, or climbing*) and the protective surfacing below - of your play equipment.

- Check the protective surfacing frequently for wear.

### Placement

Proper placement and maintenance of protective surfacing is essential. Be sure to;

- Extend surfacing at least 6 feet from the equipment in all directions.
- For to-fro swings, extend protective surfacing in front of and behind the swing to a distance equal to twice the height of the top bar from which the swing is suspended.



# SAFETY

## INSTALLATION:

1. Follow the instructions provided, do not alter its design in any way.
2. Place the equipment on level ground, not less than 6' (1.8m) from any structure or obstruction such as a fence, garage, house, overhanging branches, laundry lines or electrical wires. If the area where you will be installing your playset is not level, you must make it level.
3. Playsets must be anchored to the ground. Follow the anchoring instructions provided with your building kit. If soil conditions permit anchors to be pulled out easily, such as in sandy soil conditions, cementing is required.
4. Tighten all bolts securely to the intended member then cut off all protruding threaded ends of bolts with a hack saw **flush to the end of the nut** and remove sharp edges with a metal file.

**WARNING:** Children must not use the playset until properly installed and proper shock-absorbing surfacing material is in place.

**OPERATION: Observing and following statements and warnings reduces the likelihood of serious or fatal injury.**

1. On-site adult supervision is recommended for children of all ages.
2. Only one child, for each single planned

seat or single planned activity should be allowed on this set at one time, with a maximum weight of **105 pounds** for each child.

**WARNING:** You must teach children the following:

- A. **Not** to walk close to, in front of, behind, or between moving items.
  - B. **Not** to twist swing chains or ropes or loop them over the top support bar since this may reduce the strength of the chain or rope.
  - C. **Avoid** swinging empty seats.
  - D. **To Sit** in the center of the swings with their full weight on the seats.
  - E. **Not** to use the equipment in a manner other than intended.
  - F. **Not** to get off equipment while it is in motion.
  - G. **Not** to climb when equipment is wet.
  - H. **Not** to attach items to the playground equipment that are not specifically designed for use with the equipment such as, but not limited to, jump ropes, clothesline, pet leashes, cables and chain as they may cause a strangulation hazard.
1. **Remove** bike or other sports helmet before playing on the playground equipment.
  3. Verify that suspended climbing ropes are secured at both ends and that they cannot be looped back on themselves.
  4. Never add extra length to chain or rope.

The chains or ropes provided are the maximum length designed for the swinging element(s).

5. Dress children appropriately and do not allow them to wear inappropriate items, such as but not limited to, loose fitting clothing, hood and neck draw strings, scarves, cord-connected items, capes, and ponchos. These items can cause death by strangulation. Provide well-fitting and full enclosure footwear. Examples of inappropriate footwear are clogs, flip flops, and sandals.
6. Verify that all suspended swinging components have at least 8" clearance between the lowest point of component and top of shock-absorbing surfacing material.

**WARNING:** Lawn swings are designed for use by children two years of age and older. Use by children under the age of two can result in entrapment between the seat and backrest. **NEVER** place children in a rearward facing position or with legs between the seat and backrest because the child's body may pass through the opening causing entrapment of the child's head.

## DISPOSAL:

When the playset is to be retired from service, disassemble and dispose of in such a way that no unreasonable hazards will exist. Follow your local disposal requirements.



## ANNUAL MAINTENANCE CHECKLIST

(Copy this section as needed and maintain for your records or visit [www.playstarinc.com/maintenance](http://www.playstarinc.com/maintenance))

**At the beginning of play season:** Date: \_\_\_\_\_

- Tighten all hardware.
- Lubricate all metallic moving parts per manufacturer's instructions.
- Check all protective coverings on bolts, pipes, edges, and corners. Replace if they are loose, cracked, or missing.
- Check all moving parts including swing seats, ropes, cables, and chains for wear, rust, or other deterioration. Replace as needed.
- Check metal parts for rust. If found, sand and repaint using a non lead-based paint meeting the requirements of 16 CRF 1303.
- Check all wood members for deterioration and splinters. Sand down splinters and replace deteriorating wood members.
- Reinstall any plastic parts, such as swing seats or any other items that were removed for the cold season.
- Rake and check depth of loose fill protective surfacing materials to prevent compaction and to maintain appropriate depth. Replace as necessary.

**Twice a month during play season:** Date: \_\_\_\_\_

- Tighten all hardware.
- Check all protective coverings on bolts, pipes, edges, and corners. Replace if they are loose, cracked, or missing.
- Rake and check depth of loose fill protective surfacing materials to prevent compaction and to maintain appropriate depth. Replace as necessary.

**Once a month during play season:** Date: \_\_\_\_\_

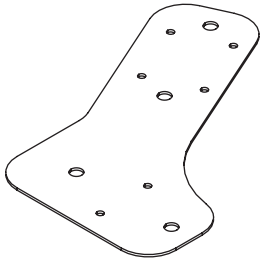
- Lubricate all metallic moving parts per manufacturer's instructions.
- Check all moving parts including swing seats, ropes, cables, and chains for wear, rust, or other deterioration. Replace as needed.

**At the end of each play season or when the temperature drops below 0° F:** Date: \_\_\_\_\_

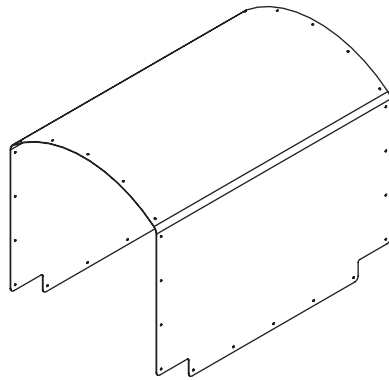
- Remove plastic swing seats and other items as specified by the manufacturer and take indoors or do not use.
- Rake and check depth of loose fill protective surfacing materials to prevent compaction and to maintain appropriate depth. Replace as necessary.

**Owner shall be responsible for maintaining the legibility of any warning labels. If any of these conditions exist, call 1-888-752-9782 for ordering information. Clean plastic components with warm water and a mild detergent such as dish soap.**

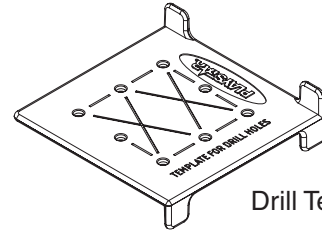
# COMPONENTS INCLUDED (not actual size)



Bridge Bracket (2)  
(For RTA only)



Tunnel (1)



Drill Template (1)

# TOOLS REQUIRED

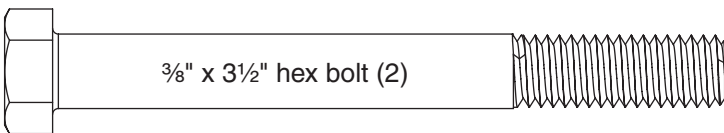
Level  
Square  
Pencil  
Hammer  
Adjustable Wrench

Socket Wrench  
Drill  
Saw (for BIY)  
Tape Measure  
Safety Glasses

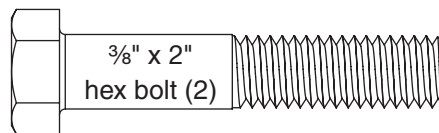
Screwdriver (regular or phillips)  
Sawhorses (optional)  
Shovel  
Ladder

1/8" Drill Bit  
3/8" Drill Bit  
Counter-sink Tool  
9/16" Socket

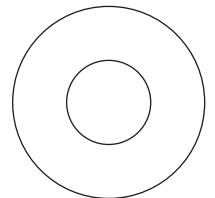
# HARDWARE INCLUDED (shown actual size)



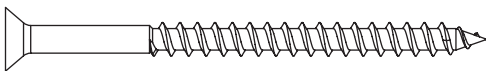
3/8" x 3 1/2" hex bolt (2)



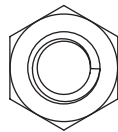
3/8" x 2" hex bolt (2)



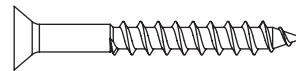
3/8" washers (8)



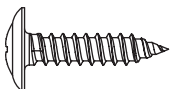
#8 x 2 1/2" deck screw (80)



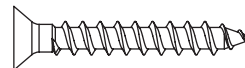
3/8" lock nut (4)



#8 x 1 1/2" deck screw (140)



#8 x 5/8" truss head screw (36)



#8 x 1 1/4" deck screw (4)



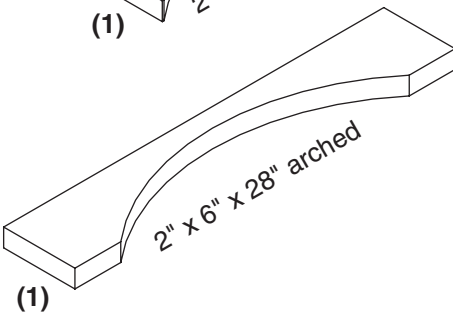
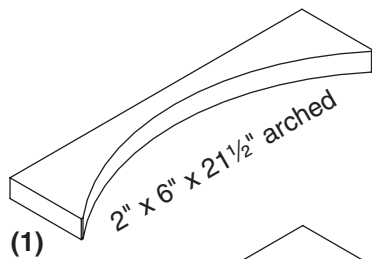
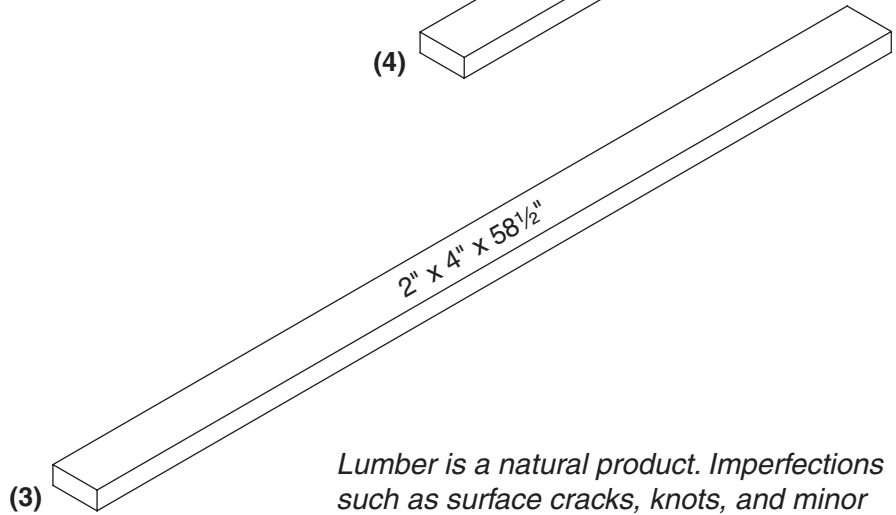
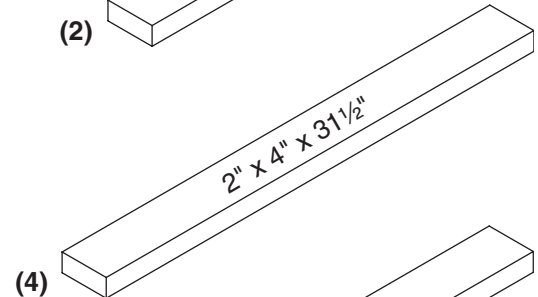
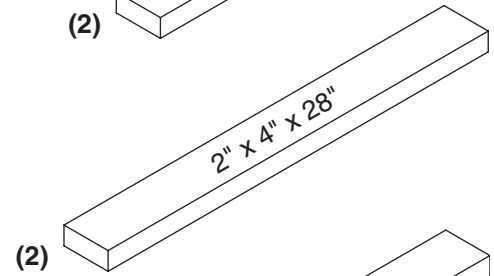
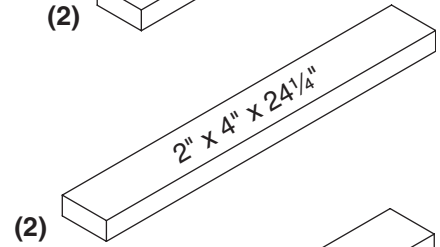
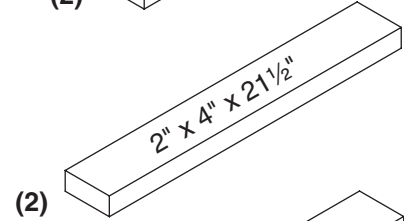
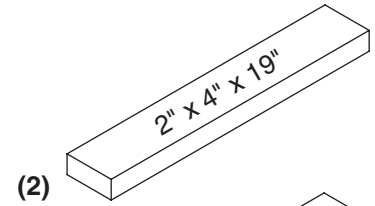
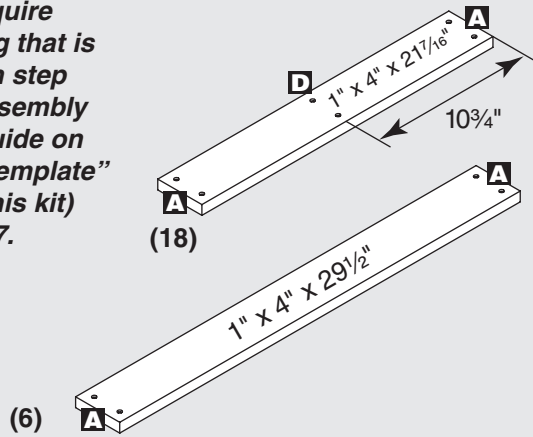
# BOARDS INCLUDED

Before starting to assemble your playset, make sure all boards and hardware are identified and stacked by size. This will improve your assembly time.

All boards are identified by “nominal” dimensions. The “actual” width and thickness of boards will vary. During assembly process, hide the marked end of the board to the inside so it is not visible on your completed playset.

The 1" x 4" boards may not be pre-drilled. To make the installation process easier, predrill the boards using the Drill Patterns shown. A guide on “How to Use the Drill Template” (which is included in this kit) can be found on pages 6 and 7.

**Note:** These boards require some additional drilling that is best completed at each step of assembly. Follow assembly instructions and the guide on “How to Use the Drill Template” (which is included in this kit) found on pages 6 and 7.



Lumber is a natural product. Imperfections such as surface cracks, knots, and minor bowing are normal. This will not affect the performance of your playset.

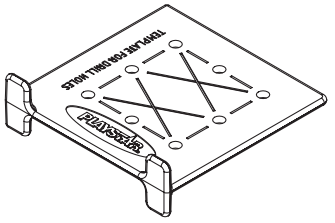
Minor bowing can be straightened when attaching the boards during the assembly process.

# TEMPLATE and DRILLING INSTRUCTIONS

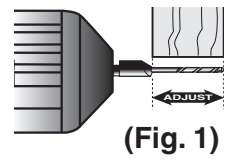
Your building kit includes a **Drill Template** to help you create some of the pilot holes needed to build your playset.

Position the template and mark only the holes that need to be drilled according to the patterns shown below. Remove the template.

**Warning: Do not drill holes through the template as you may damage the template.**



If you have a  $\frac{1}{8}$ " drill bit/countersink tool, set the drill bit depth to the thickness of the board. **(Fig. 1)**

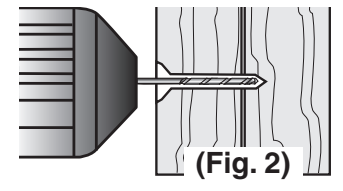


Drill locations as marked.

**Warning: Do not countersink deeper than the depth of the screw head.**

In the assembly instructions, you will be asked to attach the countersunk and predrilled boards with #8 x 2 1/2" deck screws.

To make this process easier, use the predrilled boards as templates for drilling pilot holes into the second boards. **(Fig. 2)**

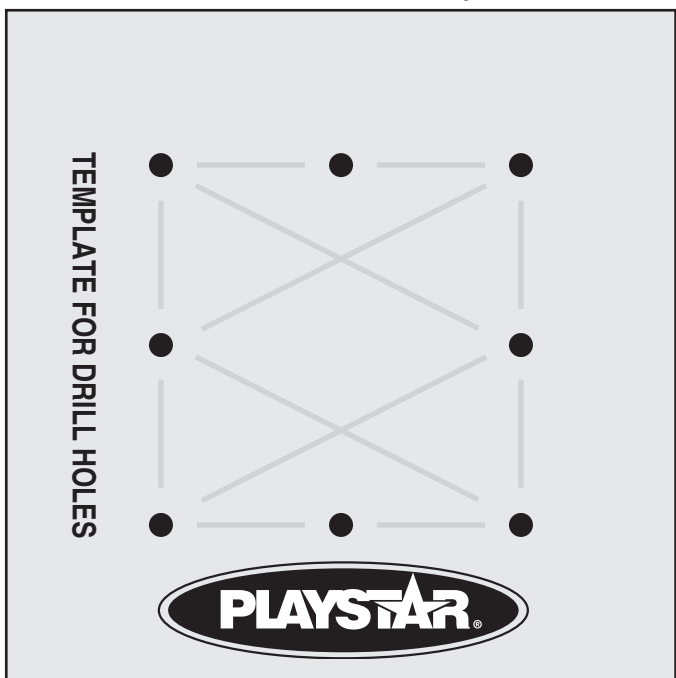


**Note: A second drill will make this process easier by eliminating multiple changes between drill bit and councersink bit.**

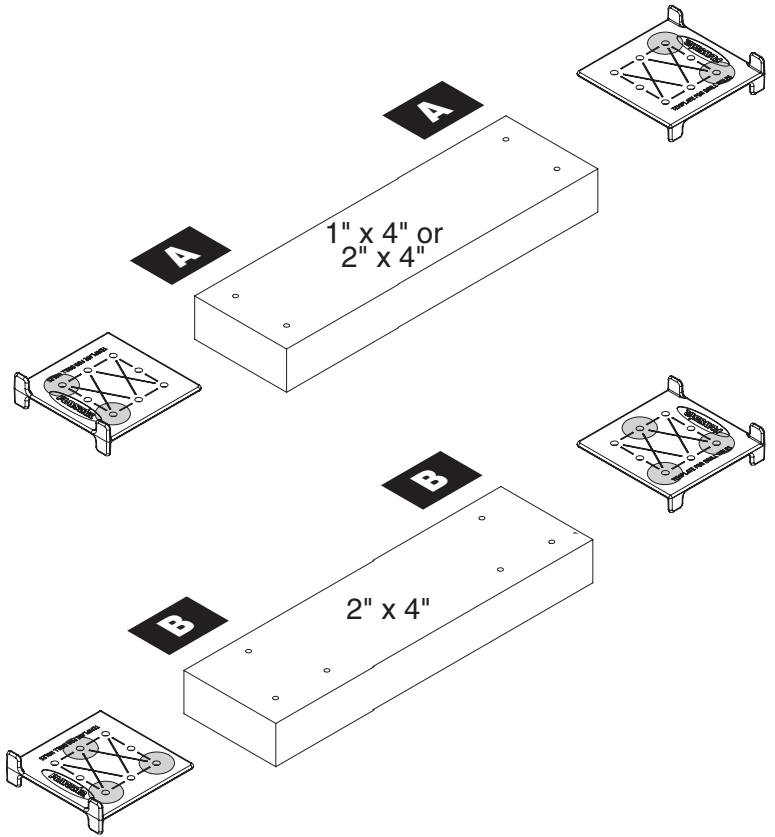
## PLEASE NOTE: Letters represent pattern not position

**Note: When the PlayStar logo is showing, the three tabs on the bottom will position the template square with any two edges. When the arrow is showing, the two tabs on the bottom will position the template square with one edge only, which will allow you to slide the template anywhere along the board.**

The rigid version of the template like the one shown here can be found inside your kit.

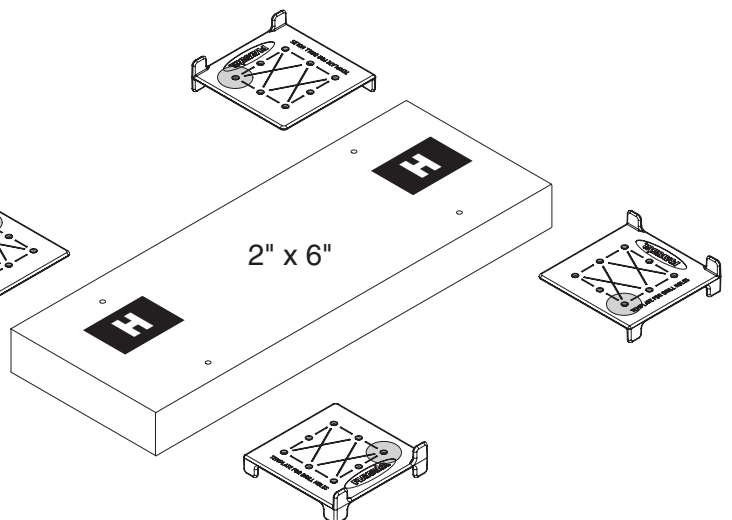
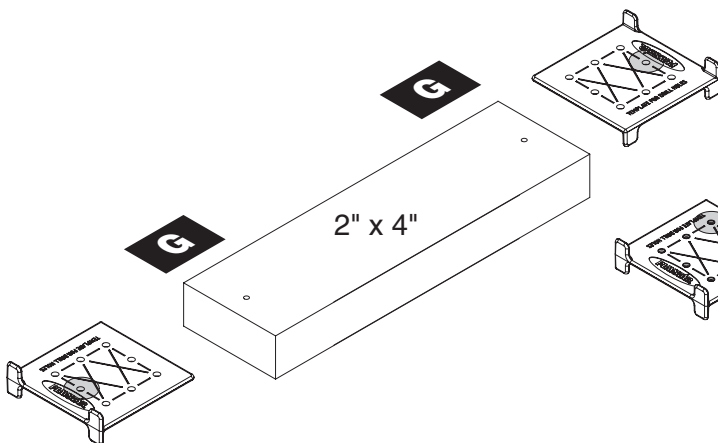
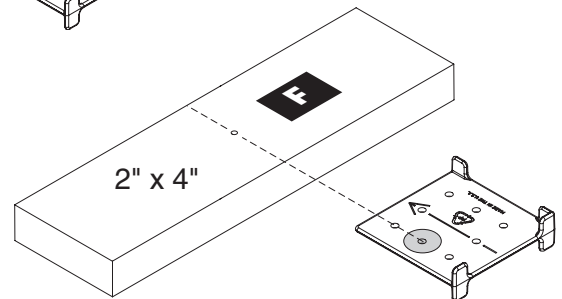
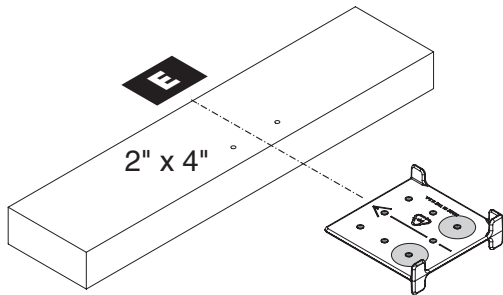
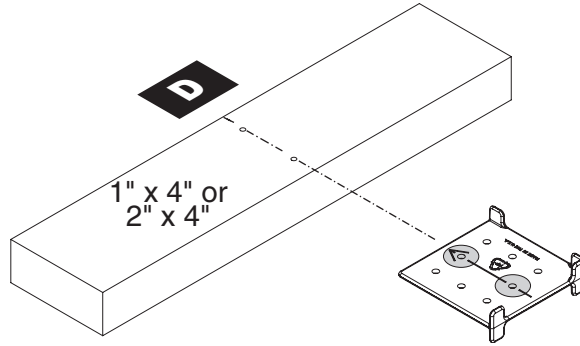
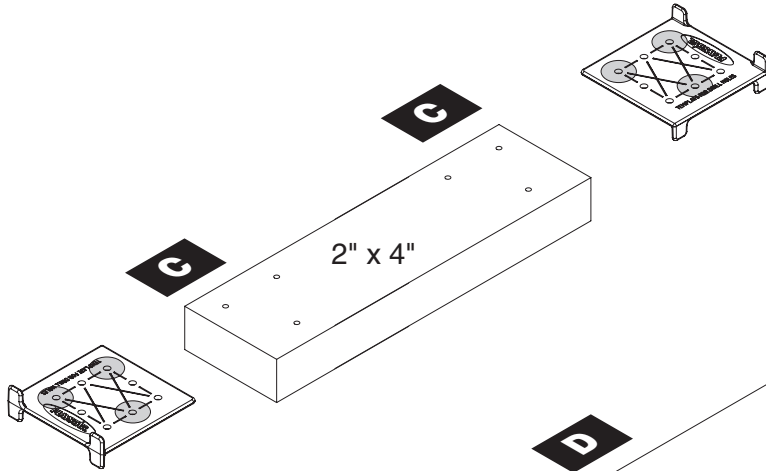
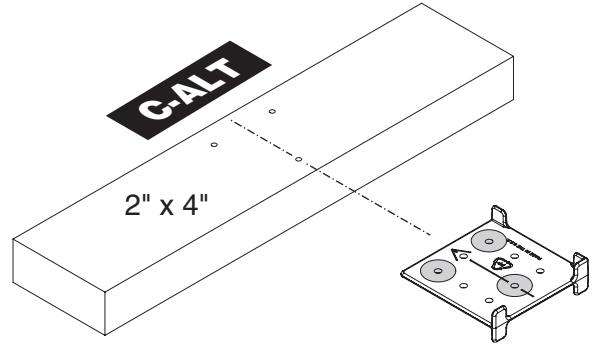
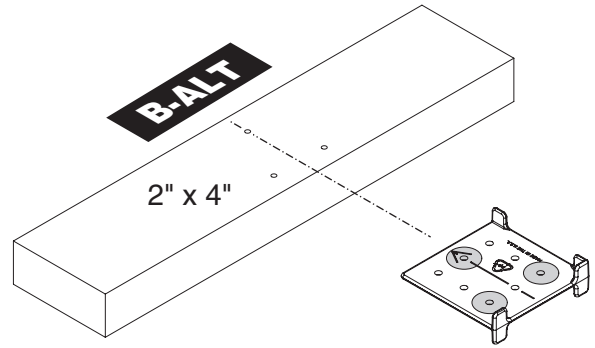


Actual Size Template



**PLEASE NOTE**  
*(Letters represent pattern not position)*

Patterns **B-ALT** **C-ALT** **D** **E** and **F** can be created anywhere along the board by turning the template over (arrow side up) and sliding it to the desired position. Use the shaded holes for that pattern.

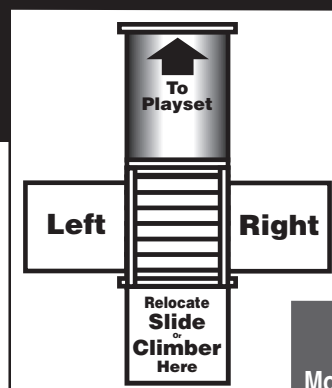




# Adventure Tunnel Compatibility

Attach the Adventure Tunnel to your existing PlayStar playset which may require modifications.

Place on level ground.



Playset Modifications See Page

Playset	Design Option	To Place Tunnel - Move	Activity Options	Playset Modifications See Page
<b>Contender™</b>	Gold	Climbing Steps	N/A	44
	Silver	Climbing Wall	Left	45
	Bronze	Slide	Left or Right	45
	Starter	Slide	Left or Right	45
<b>Legacy™</b>	Gold	Climbing Steps	N/A	46
	Silver	Climbing Wall	Right	46
	Bronze	Climbing Steps	Right	47
	Starter	Vertical Climber	Right	47
<b>RIDGELINE™</b>	Gold	Climbing Steps	N/A	46
	Silver	Slide	Left or Right	45
	Bronze	Vertical Climber	Left	44
<b>SuperStar™</b>	Gold	Scoop Wave Slide	Left	48
		Climbing Wall	Right	48
	Silver	Scoop Wave Slide	Left	49
		Giant Scoop Wave Slide	Left	50
	Bronze	Climbing Wall	Right	49
		Climbing Steps	Left	50
<b>Trainer™</b>	Gold	Climbing Steps	Right	43
	Silver	Slide	Left	43
	Bronze	Vertical Climber	Right	44
	Starter	Vertical Climber	Right	44
<b>Horizon and Cliffhanger</b>		N/A	N/A	

Extend Safety Zone and shock-absorbing material a minimum of six feet in all directions from the perimeter of the Adventure Tunnel, Rock Walls, Slides, and Climbers.

For other PlayStar Playsets not listed, Call Toll Free at 1-888-752-9782

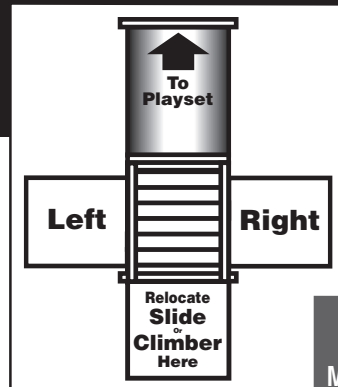


If you are attaching your tunnel kit to a PlayStar **Build-It-Yourself®** Playset, follow the instructions in the BIY section of this book (**beginning on page 10**). Then skip to the components section for accessories.





# Adventure Tunnel Compatibility



GENERAL INFORMATION

Attach the Adventure Tunnel to your existing PlayStar playset which may require modifications.

Place on level ground.

Playset Modifications See Page

Playset	Design Option	To Place Tunnel - Move	Activity Options	Playset Modifications See Page
<b>ALL PRO</b>	Gold	(As Shown)	Left	51
	Silver	Rock Wall	Left	51
	Bronze	(As Shown)	Left	51
	Starter	Rock Wall	Left	51
<b>GRAND SLAM</b>	Gold	(As Shown)	Right	51
	Silver	Rock Wall	Right	51
	Bronze	(As Shown)	Right	51
	Starter	Rock Wall	Right	51
<b>GREAT ESCAPE</b>	All Design Options	Wood Rock Wall	Left	51
<b>PLATEAU</b>	Gold	N/A	N/A	
	Silver	(As Shown)	Left	
	Bronze	N/A	N/A	
<b>SUMMIT</b>	Gold	(As Shown)	Left	51
	Silver	Rock Wall	Left	51
	Bronze	Rock Wall	Left	51
<b>VARSITY</b>	Gold	(As Shown)	Left or Right	
	Silver	(As Shown)	Left or Right	
	Bronze	N/A	N/A	
	Starter	N/A	N/A	
<b>Highland and Mesa</b>		N/A	N/A	

Extend Safety Zone and shock-absorbing material a minimum of six feet in all directions from the perimeter of the Adventure Tunnel, Rock Walls, Slides, and Climbers.

For other PlayStar Playsets not listed, Call Toll Free at 1-888-752-9782



If you are attaching your tunnel kit to a PlayStar **Ready-To-Assemble** Playset, follow the instructions in the RTA section of this book (**beginning on page 24**). Then skip to the components section for accessories.



**Additional lumber and components are required for  Playsets.**

**Your tunnel kit can only go into a 21½" opening at either 48" or 60" high deck.**

*Depending on your playset model, the 21½" opening must be modified at this time to accept the Adventure Tunnel Kit.*

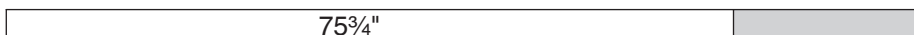
*Refer to the Compatibility Chart on Previous Page, which lists the pages where these BIY Modifications are found for your particular playset.*

*Lumber (other than what is listed below) may be necessary depending on your modification.*

## **ONLY for 48" deck**

**ADDITIONAL LUMBER REQUIRED (purchase separately)**

2" x 4" x 8' — two (2) boards required



**ADDITIONAL COMPONENTS REQUIRED (purchase separately)**

(1) Playset Anchors (PS 7690)

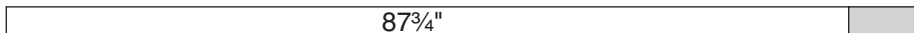
**Follow instructions from page 11**

Optional: (1) PlayStar Slide or Climber can be added. See page 42

## **ONLY for 60" deck**

**ADDITIONAL LUMBER REQUIRED (purchase separately)**

2" x 4" x 8' — two (2) boards required



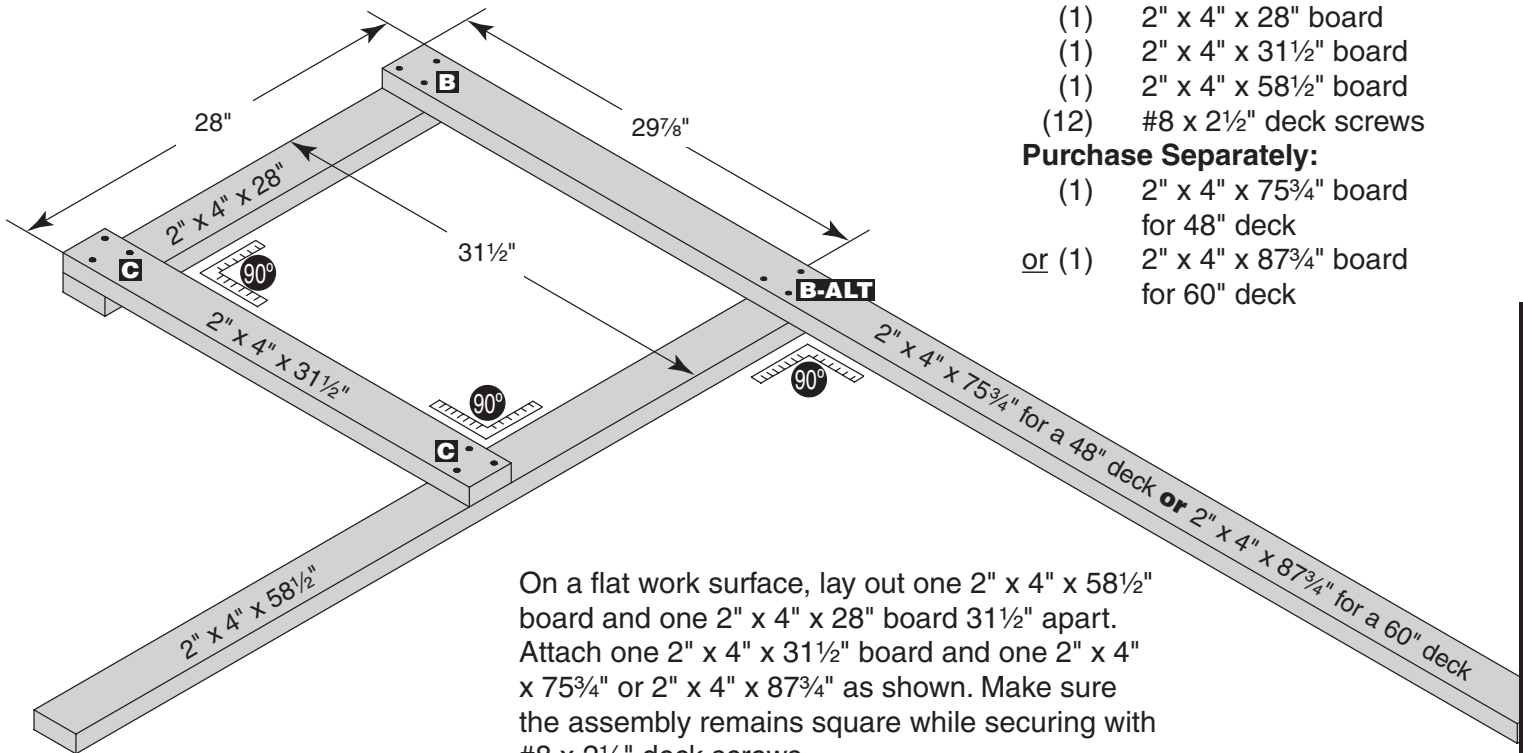
**ADDITIONAL COMPONENTS REQUIRED (purchase separately)**

(1) Playset Anchors (PS 7690)

**Follow instructions from page 11**

Optional: (1) PlayStar Slide or Climber can be added. See page 42

# ASSEMBLY



## Items for STEP 1:

### Supplied with Kit:

- (1) 2" x 4" x 28" board
- (1) 2" x 4" x 31½" board
- (1) 2" x 4" x 58½" board
- (12) #8 x 2½" deck screws

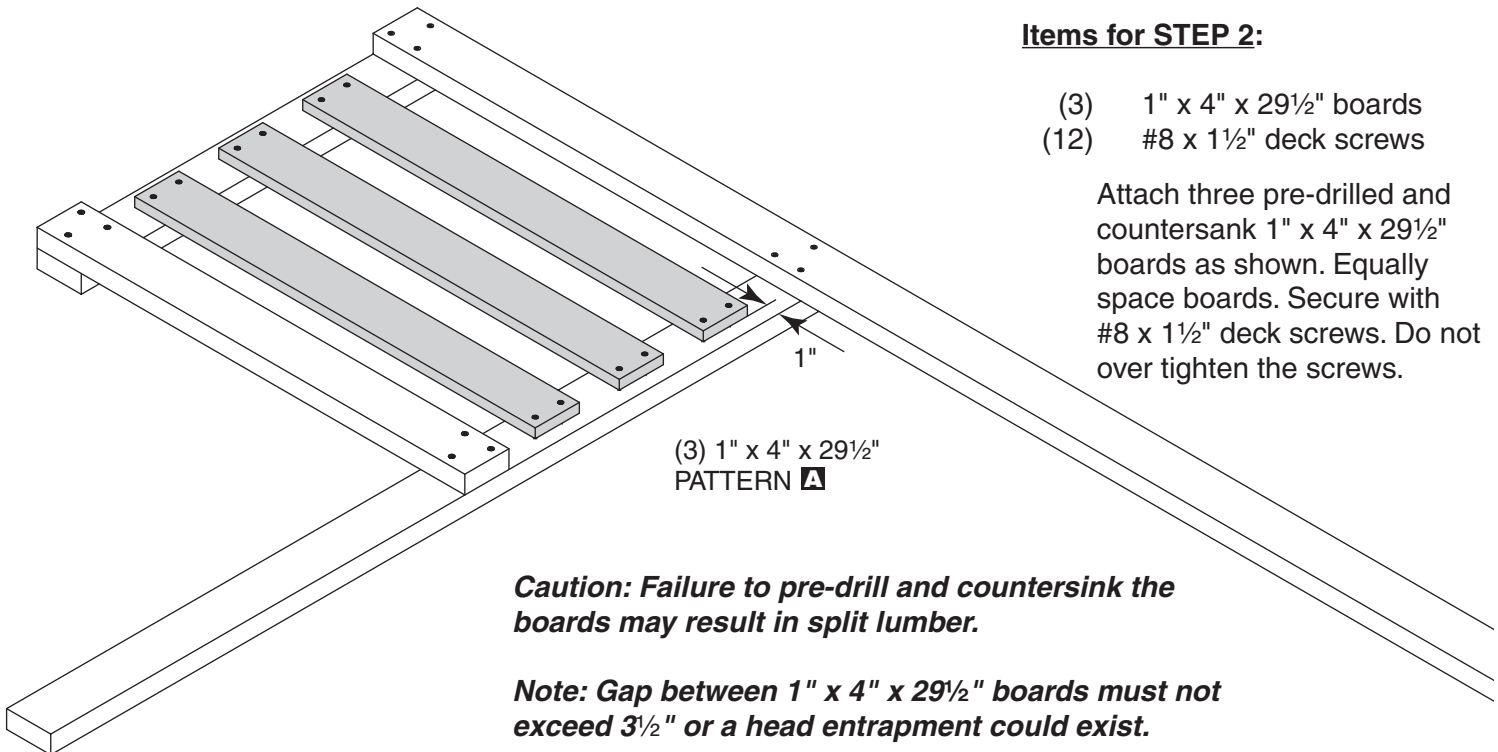
### Purchase Separately:

- (1) 2" x 4" x 75¾" board for 48" deck
- or (1) 2" x 4" x 87¾" board for 60" deck

On a flat work surface, lay out one 2" x 4" x 58½" board and one 2" x 4" x 28" board 31½" apart. Attach one 2" x 4" x 31½" board and one 2" x 4" x 75¾" or 2" x 4" x 87¾" as shown. Make sure the assembly remains square while securing with #8 x 2½" deck screws.

**SEE PAGES 6 AND 7 FOR HOLE PATTERNS**

BUILD-IT-YOURSELF



## Items for STEP 2:

- (3) 1" x 4" x 29½" boards
- (12) #8 x 1½" deck screws

Attach three pre-drilled and countersunk 1" x 4" x 29½" boards as shown. Equally space boards. Secure with #8 x 1½" deck screws. Do not over tighten the screws.

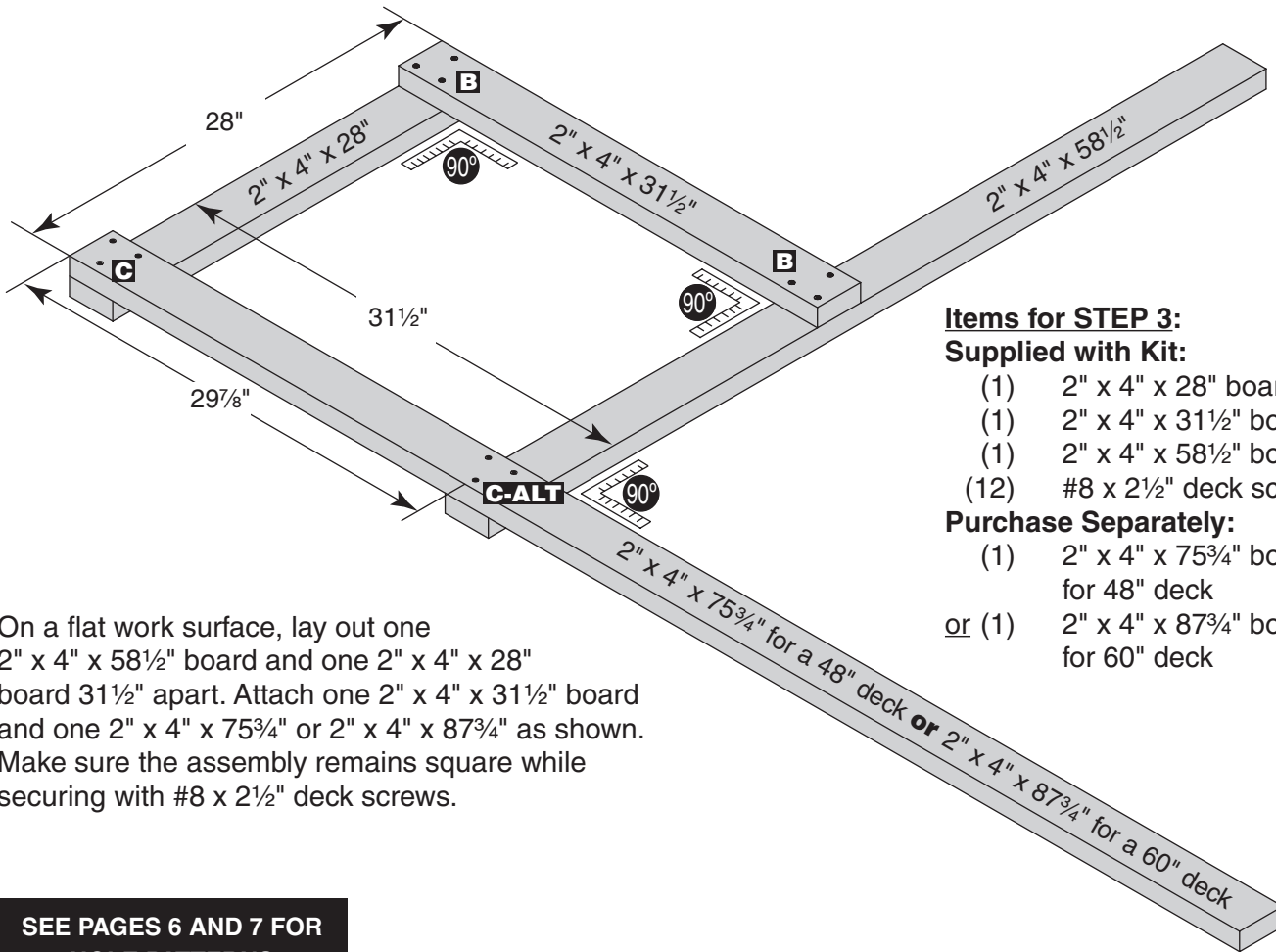
(3) 1" x 4" x 29½" PATTERN A

**Caution:** Failure to pre-drill and countersink the boards may result in split lumber.

**Note:** Gap between 1" x 4" x 29½" boards must not exceed 3½" or a head entrapment could exist.

**Helpful Hint:** Gap between boards should be approximately 2⅞".

**SEE PAGES 6 AND 7 FOR HOLE PATTERNS**



**Items for STEP 3:**

**Supplied with Kit:**

- (1) 2" x 4" x 28" board
- (1) 2" x 4" x 31½" board
- (1) 2" x 4" x 58½" board
- (12) #8 x 2½" deck screws

**Purchase Separately:**

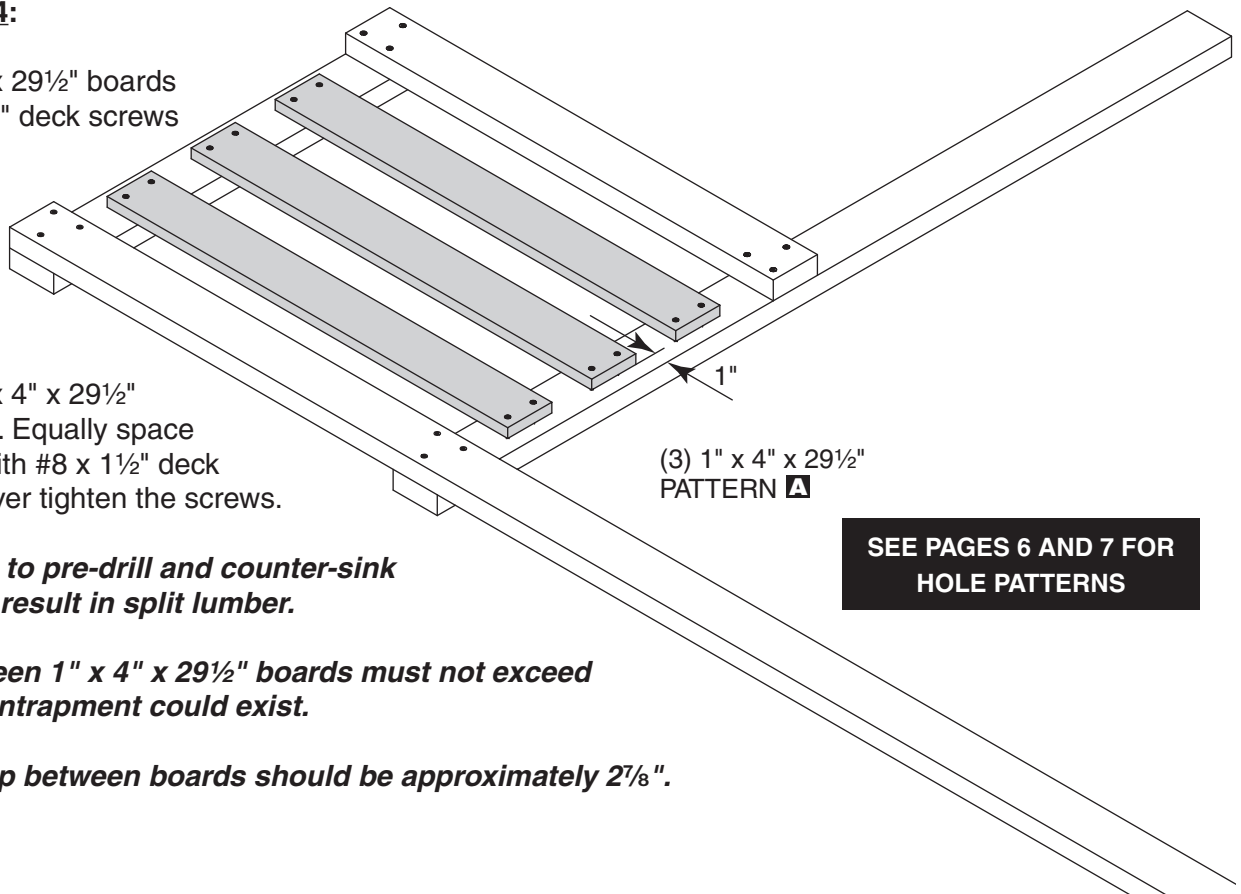
- (1) 2" x 4" x 75¾" board for 48" deck
- or (1) 2" x 4" x 87¾" board for 60" deck

On a flat work surface, lay out one 2" x 4" x 58½" board and one 2" x 4" x 28" board 31½" apart. Attach one 2" x 4" x 31½" board and one 2" x 4" x 75¾" or 2" x 4" x 87¾" as shown. Make sure the assembly remains square while securing with #8 x 2½" deck screws.

**SEE PAGES 6 AND 7 FOR HOLE PATTERNS**

**Items for STEP 4:**

- (3) 1" x 4" x 29½" boards
- (12) #8 x 1½" deck screws



Attach three pre-drilled and counter-sank 1" x 4" x 29½" boards as shown. Equally space boards. Secure with #8 x 1½" deck screws. Do not over tighten the screws.

**Caution:** Failure to pre-drill and counter-sink the boards may result in split lumber.

**Note:** Gap between 1" x 4" x 29½" boards must not exceed 3½" or a head entrapment could exist.

**Helpful Hint:** Gap between boards should be approximately 2⅞".

**SEE PAGES 6 AND 7 FOR HOLE PATTERNS**



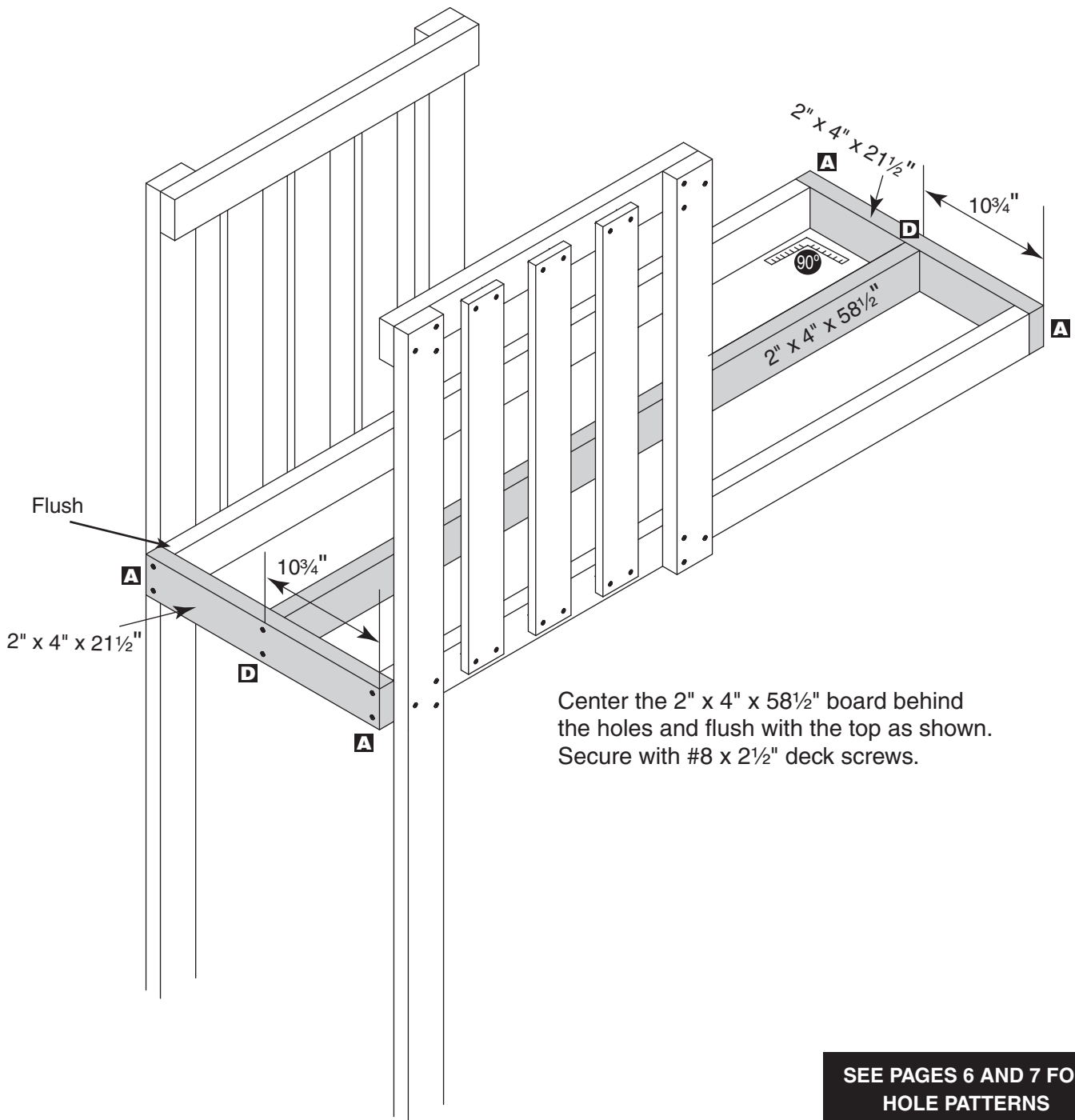
**Items for STEP 5:**

- (1) STEP 2 assembly
- (1) STEP 4 assembly
- (2) 2" x 4" x 21½" boards
- (1) 2" x 4" x 58½" board
- (12) #8 x 2½" deck screws

Stand left and right side assemblies up as shown approximately 21½" apart.

Pre-drill the 2" x 4" x 21½" boards at the dimension shown.

Attach two pre-drilled 2" x 4" x 21½" boards as shown. Make sure assembly remains square while securing with #8 x 2½" deck screws.



**SEE PAGES 6 AND 7 FOR HOLE PATTERNS**

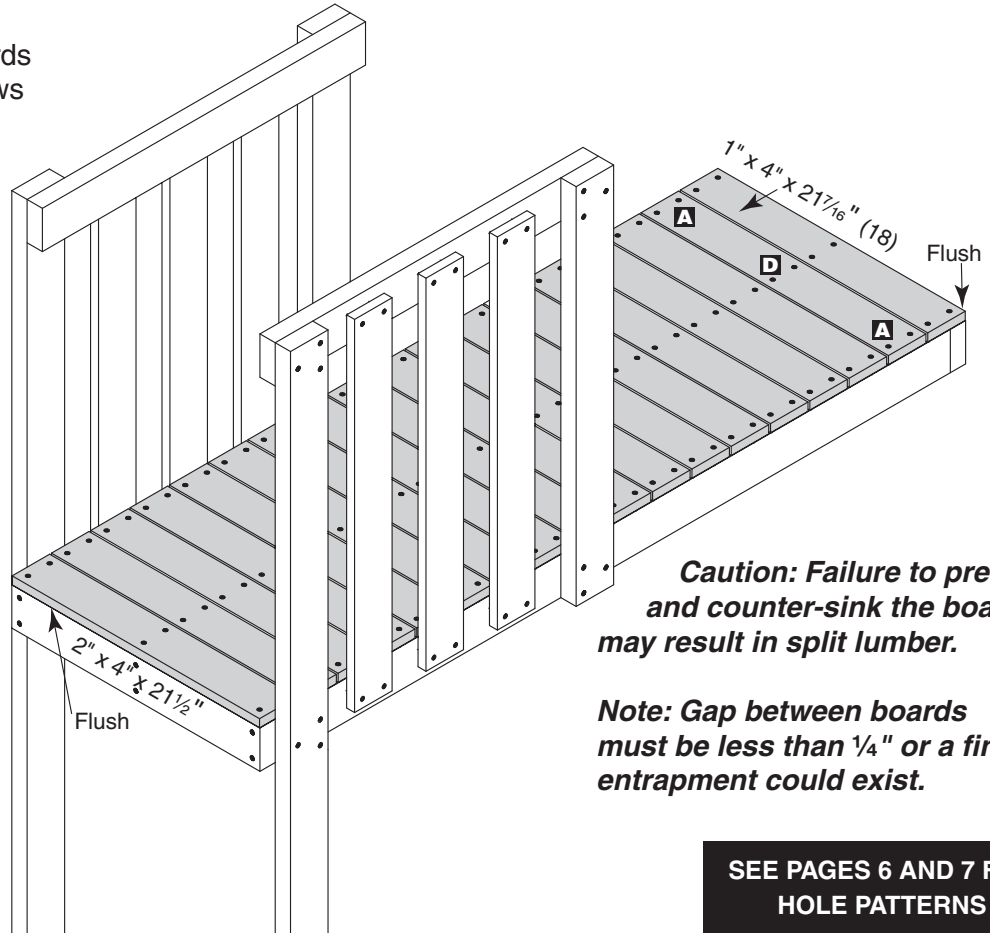
**BUILD-IT-YOURSELF**

**Items for STEP 6:**

- (18) 1" x 4" x 21<sup>7</sup>/<sub>16</sub>" boards
- (108) #8 x 1<sup>1</sup>/<sub>2</sub>" deck screws

Attach eighteen pre-drilled and counter-sunk 1" x 4" x 21<sup>7</sup>/<sub>16</sub>" boards.

Attach the front and back boards flush with the 2" x 4" x 21<sup>1</sup>/<sub>2</sub>" boards and equally space the remaining boards. Secure all boards with #8 x 1<sup>1</sup>/<sub>2</sub>" deck screws. Do not over tighten the screws.



**Caution:** Failure to pre-drill and counter-sink the boards may result in split lumber.

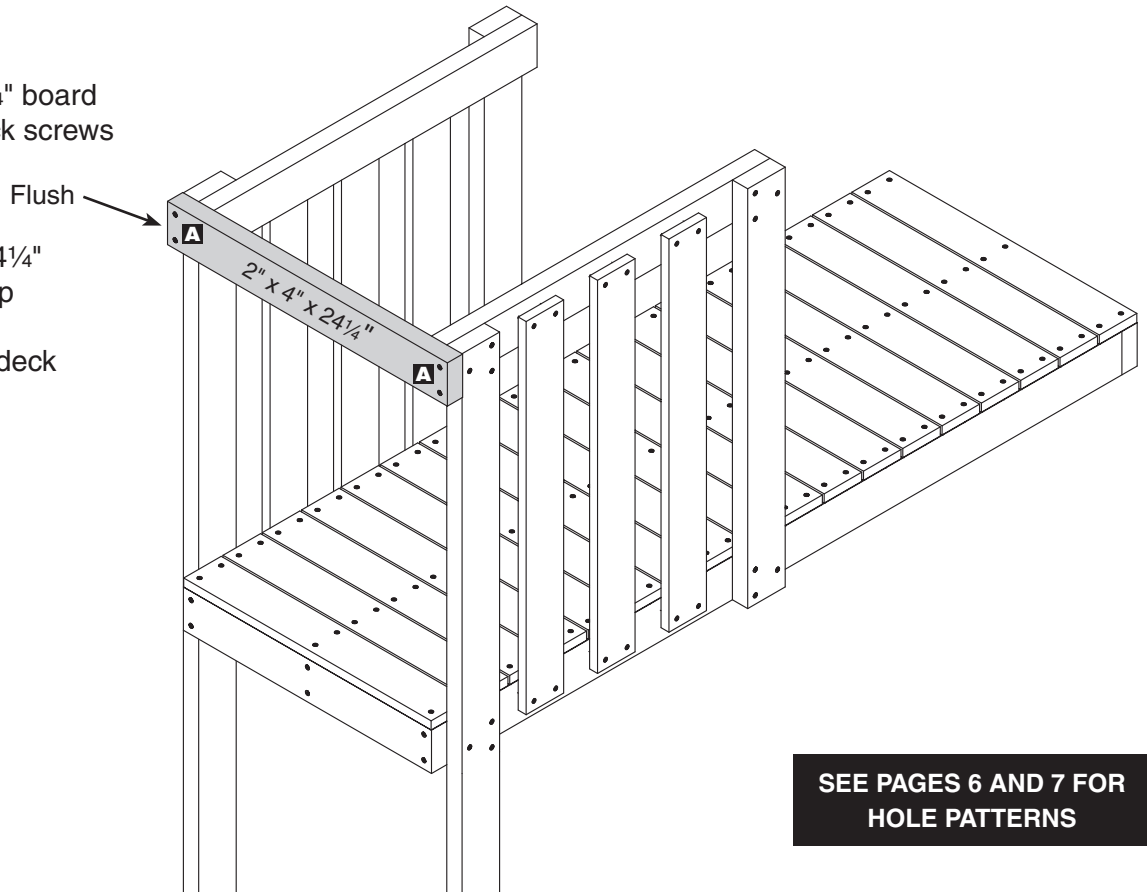
**Note:** Gap between boards must be less than 1/4" or a finger entrapment could exist.

SEE PAGES 6 AND 7 FOR HOLE PATTERNS

**Items for STEP 7:**

- (1) 2" x 4" x 24<sup>1</sup>/<sub>4</sub>" board
- (4) #8 x 2<sup>1</sup>/<sub>2</sub>" deck screws

Attach one 2" x 4" x 24<sup>1</sup>/<sub>4</sub>" board flush with the top and sides as shown. Secure with #8 x 2<sup>1</sup>/<sub>2</sub>" deck screws.



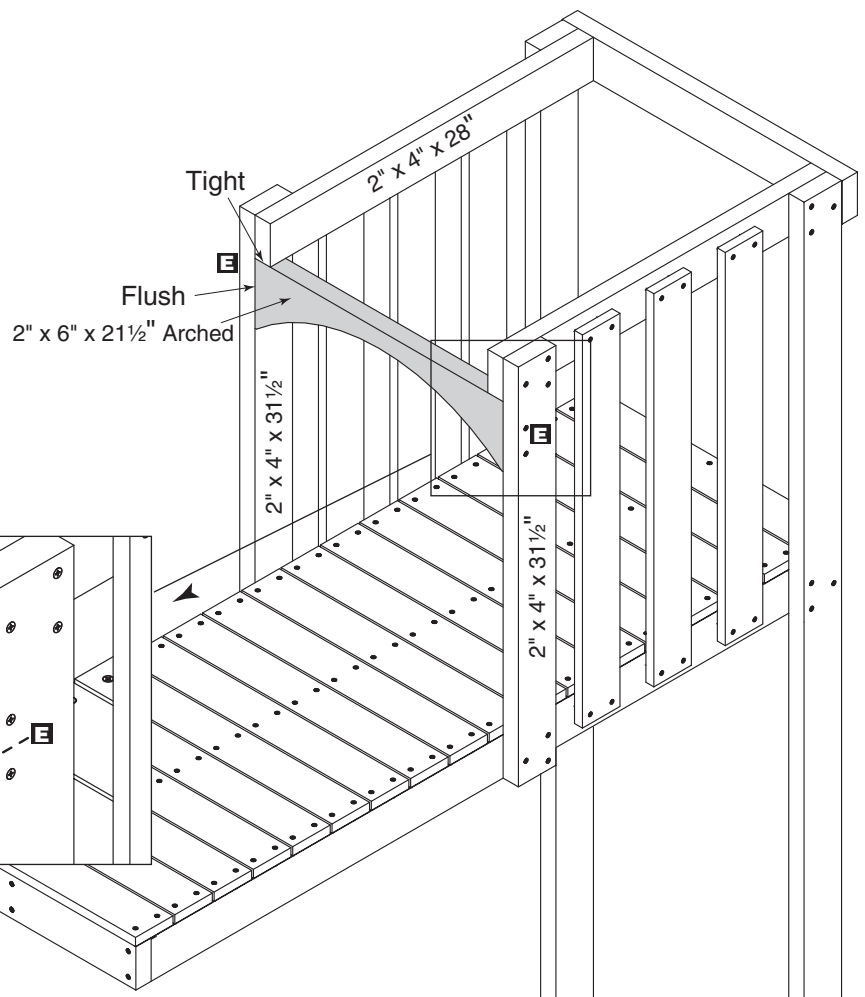
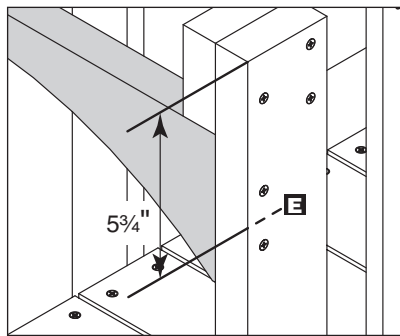
SEE PAGES 6 AND 7 FOR HOLE PATTERNS

### Items for STEP 8:

- (1) 2" x 6" x 21½" arched board
- (4) #8 x 2½" deck screws

Pre-drill both 2" x 4" x 32½" boards at the dimension shown.

Attach the 2" x 6" x 21½" arched board tight at the top with the 2" x 4" x 28" boards and flush at the side with both 2" x 4" x 32½" boards as shown. Secure with #8 x 2½" deck screws.



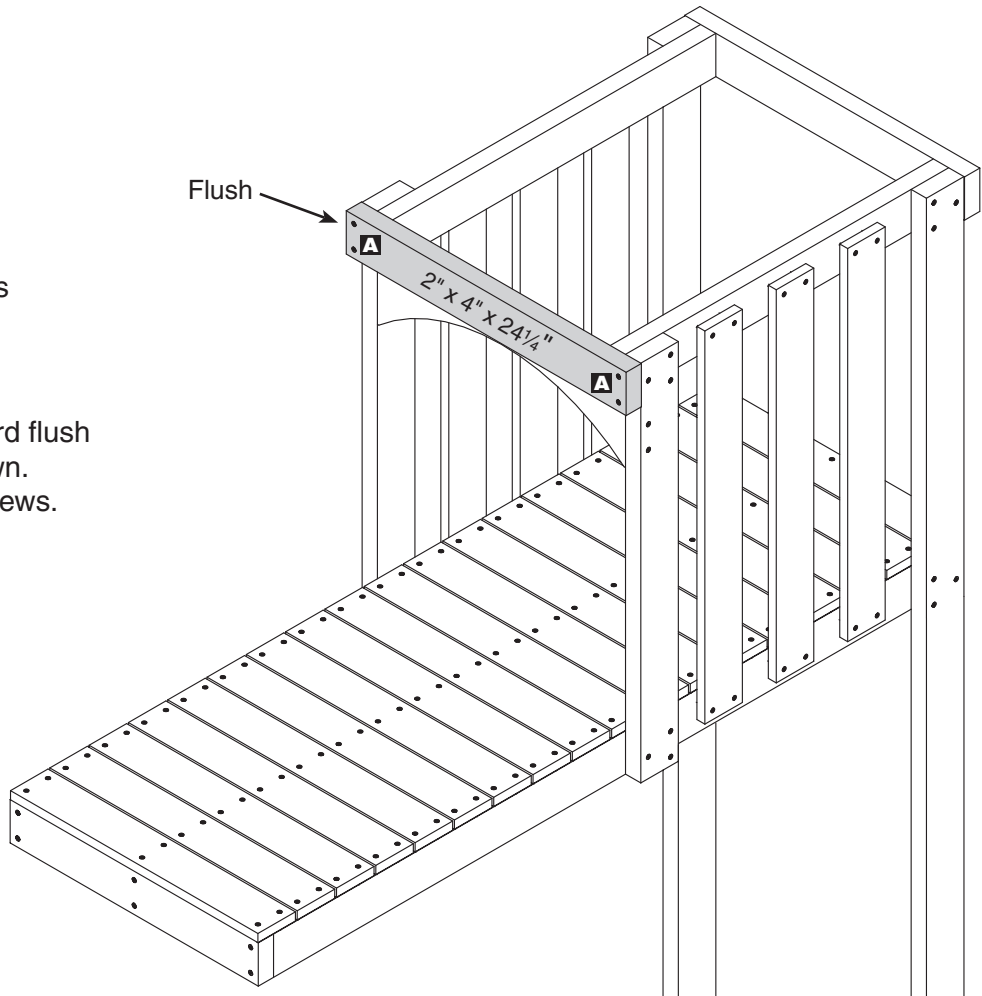
SEE PAGES 6 AND 7 FOR HOLE PATTERNS

BUILD-IT-YOURSELF

### Items for STEP 9:

- (1) 2" x 4" x 24¼" board
- (4) #8 x 2½" deck screws

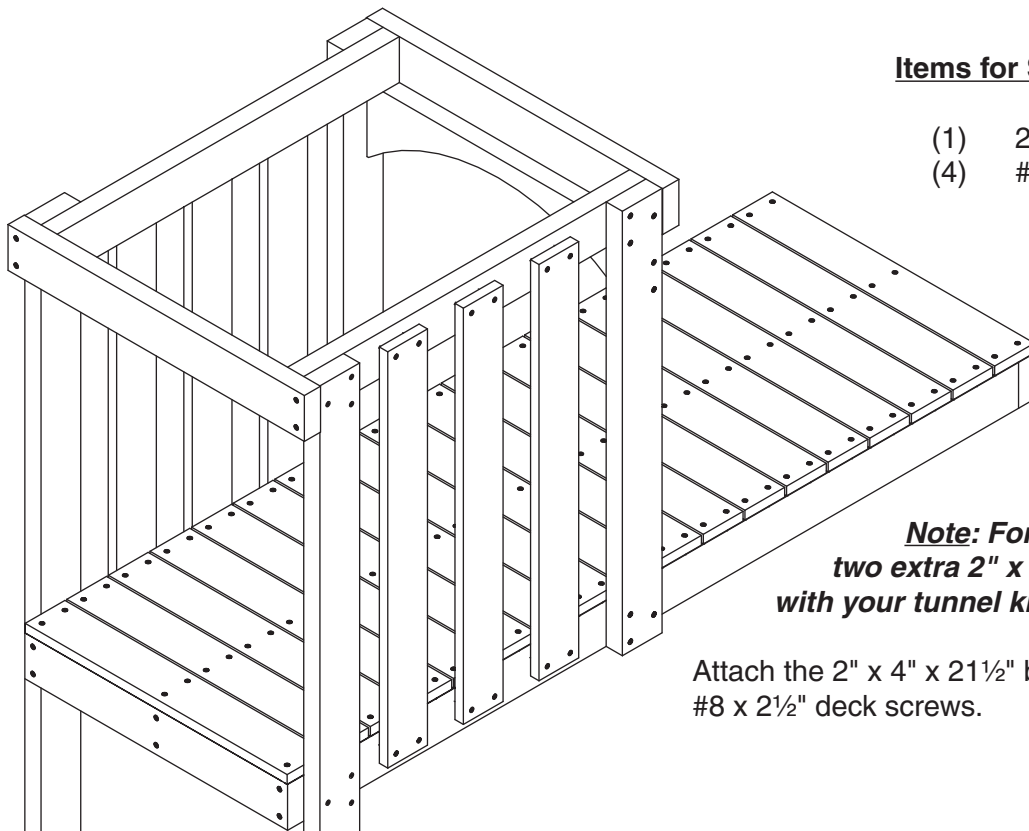
Attach one 2" x 4" x 24¼" board flush with the top and sides as shown. Secure with #8 x 2½" deck screws.



SEE PAGES 6 AND 7 FOR HOLE PATTERNS

**Items for STEP 10:**

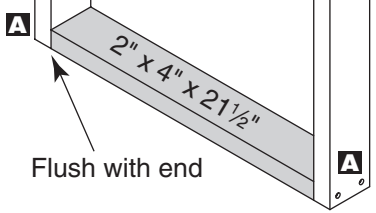
- (1) 2" x 4" x 21½" boards
- (4) #8 x 2½" deck screws



**Note:** For this board, use one of the two extra 2" x 4" x 31½" boards supplied with your tunnel kit and cut it down to 21½".

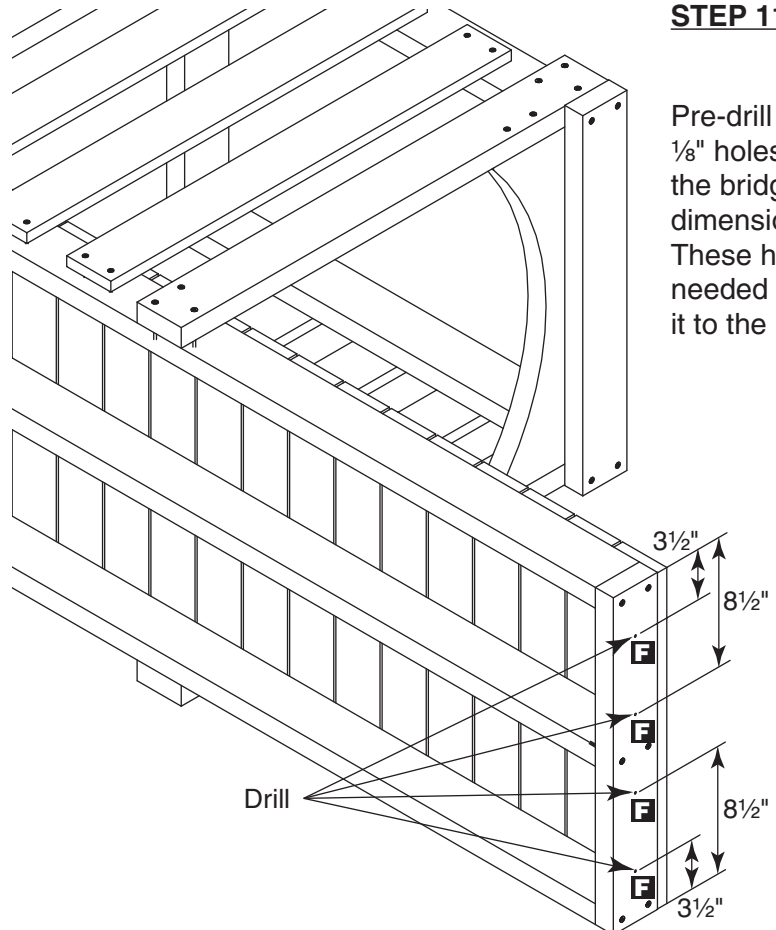
Attach the 2" x 4" x 21½" board as shown. Secure with #8 x 2½" deck screws.

**SEE PAGES 6 AND 7 FOR HOLE PATTERNS**



**STEP 11:**

Pre-drill four ⅛" holes through the bridge at the dimensions shown. These holes are needed to attach it to the playset.

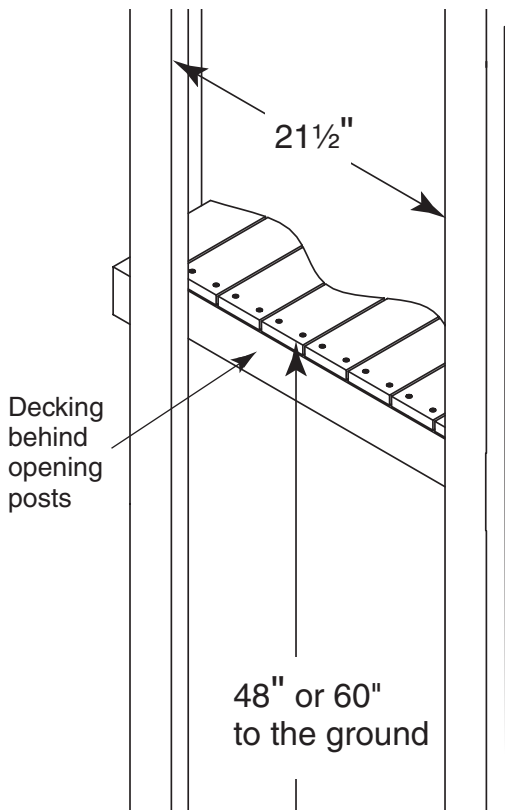




**STEP 12-A:**

Identify your Playset's opening where tunnel kit is to be attached. It should look like either STEP 12-A or STEP 12-B.

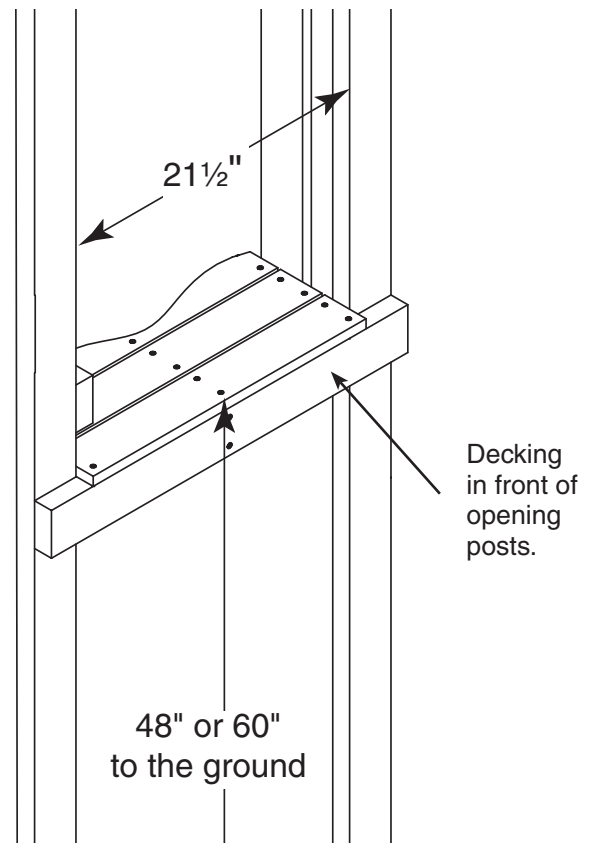
If opening is like this, go to **STEP 13.**



**STEP 12-B:**

Identify your Playset's opening where tunnel kit is to be attached. It should look like either STEP 12-A or STEP 12-B.

If opening is like this, go to **STEP 17.**



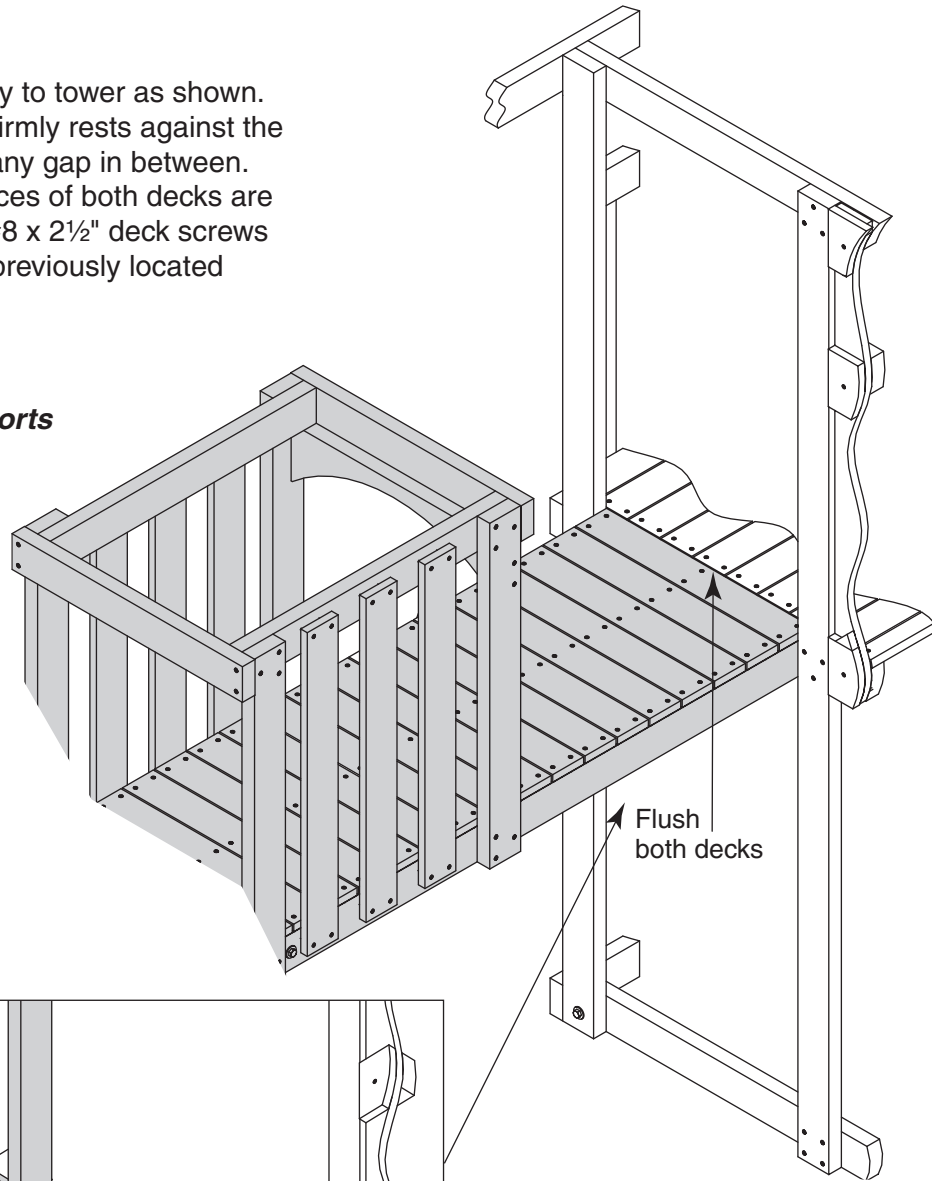
**Items for STEP 13:**

- (1) Bridge-tunnel assembly
- (4) #8 x 2½" deck screws
- (2) Anchors

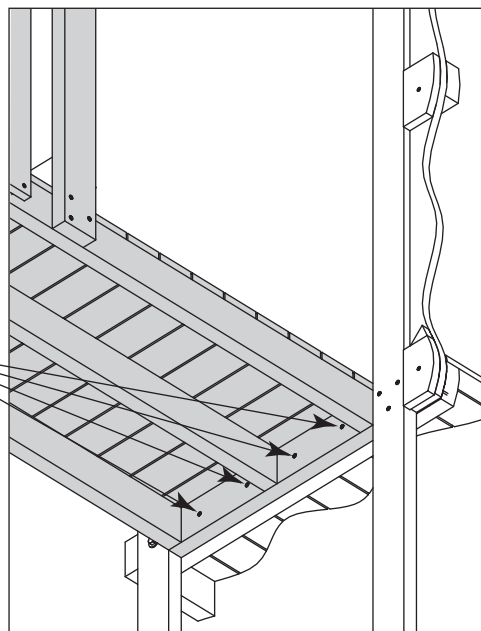
Bring the Bridge-Tunnel to its final position as shown.  
Make sure the bridge-tunnel decking is level.

Attach Bridge-tunnel assembly to tower as shown. Make sure its decking frame firmly rests against the tower decking frame without any gap in between. Also, make sure the top surfaces of both decks are flush as shown. Secure with #8 x 2½" deck screws through the holes pre-drilled previously located under decking.

**Note: Attach anchors to the two outermost 2" x 4" supports (See page 41)**



#8 x 2½" deck screws



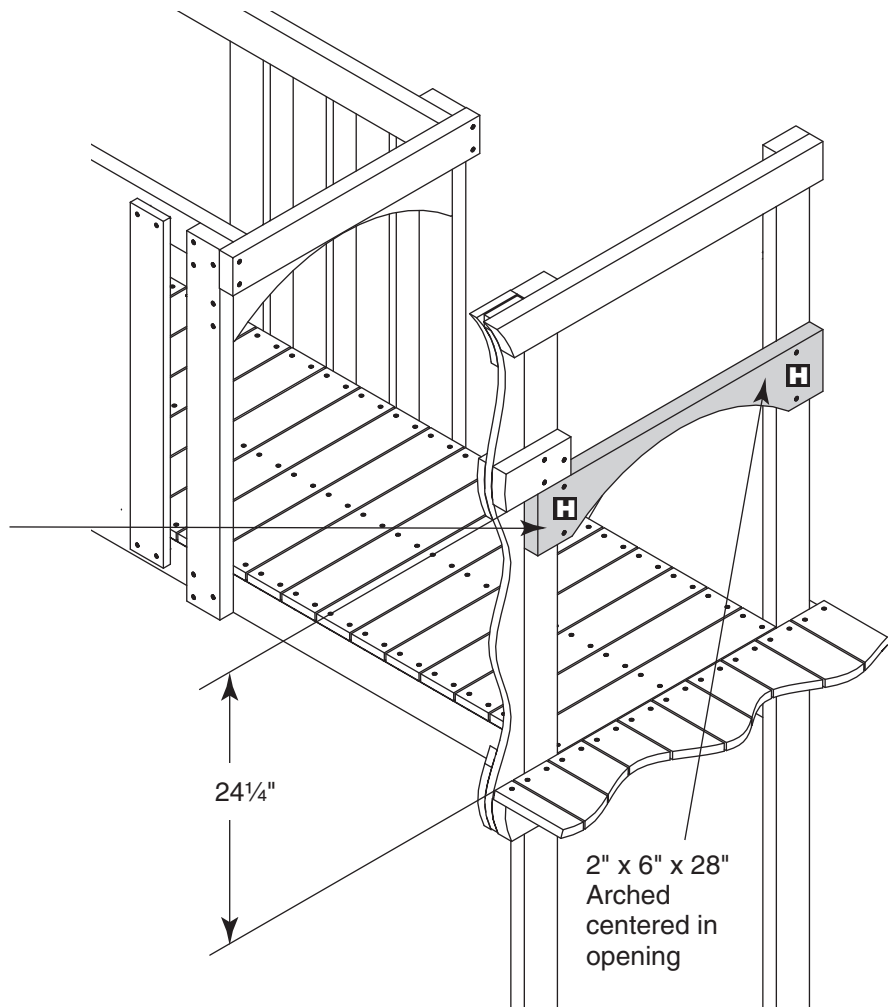
Detail from below

### Items for STEP 14:

- (1) 2" x 6" x 28" arched board
- (4) #8 x 2½" deck screws

Attach the 2" x 6" x 28" arched board at the dimensions shown. Make sure the arch is centered with the opening. Secure with #8 x 2½" deck screws.

**Note: Depending on your playset model, some additional adjusting may be necessary in order to get the arched board to the 24¼" dimension.**



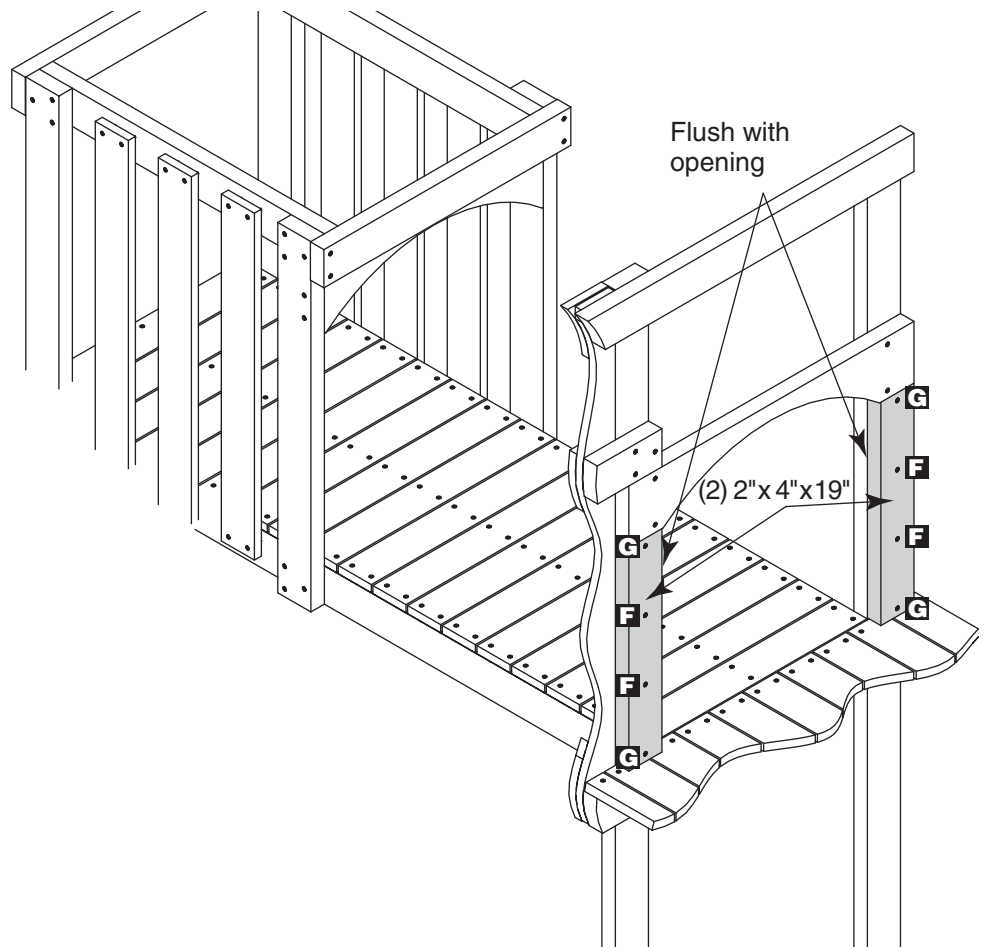
SEE PAGES 6 AND 7 FOR HOLE PATTERNS

### Items for STEP 15:

- (2) 2" x 4" x 19" boards
- (8) #8 x 2½" deck screws

Attach two 2" x 4" x 19" boards flush with the sides of the opening as shown. Secure with #8 x 2½" deck screws.

**Note: Depending on your playset model, some additional cutting/adjusting may be necessary.**



SEE PAGES 6 AND 7 FOR HOLE PATTERNS

## Items for STEP 16:

- (1) Tunnel
- (36) #8 x  $\frac{5}{8}$ " truss head screws

Position the tunnel into the bridge opening as shown.

Make sure the tunnel is fully inserted and the flanges are firmly resting against the lumber and the ends are flush with the sides of the lumber as shown.

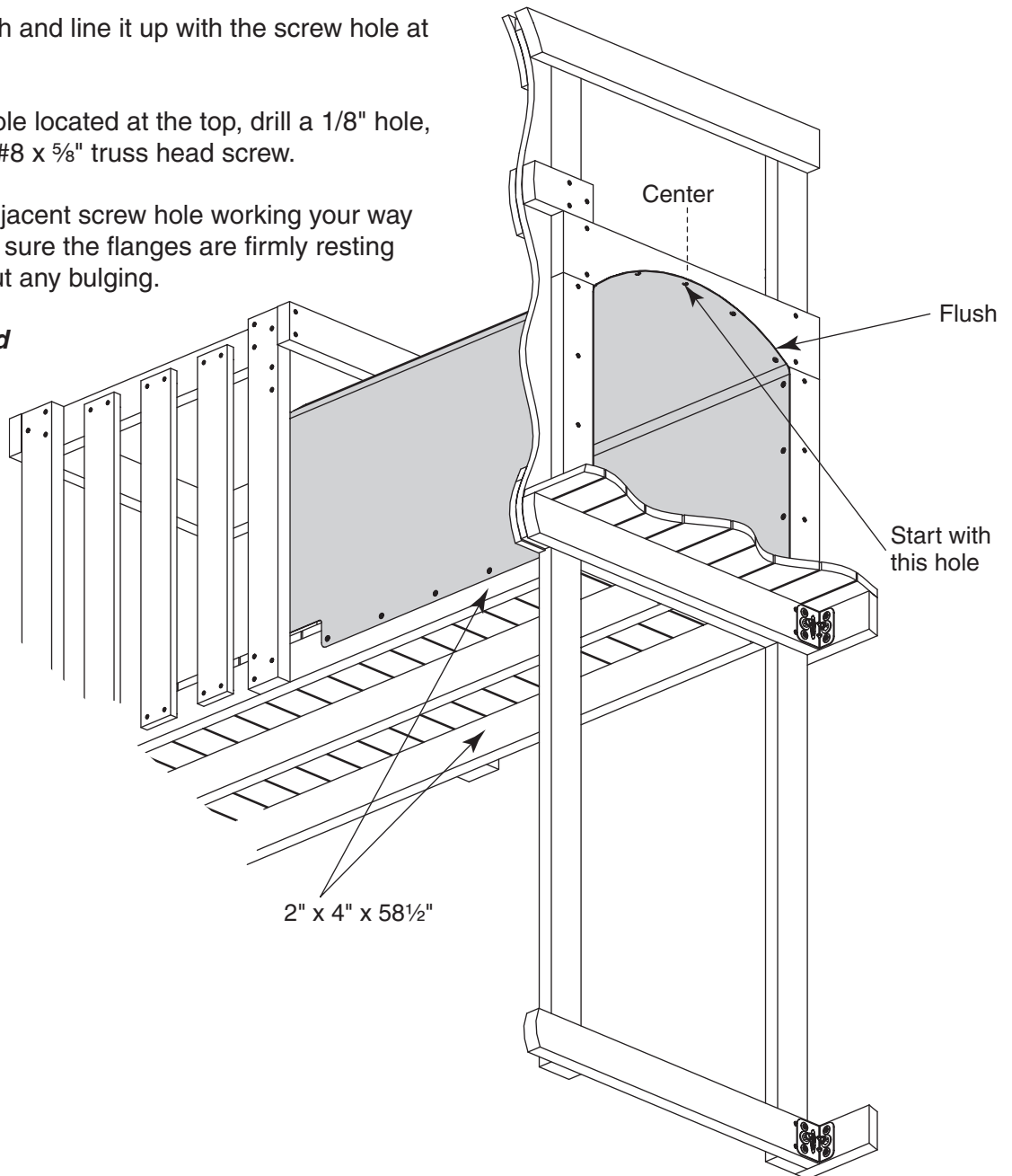
Find the center of the arch and line it up with the screw hole at the top of the tunnel.

Starting with the screw hole located at the top, drill a  $\frac{1}{8}$ " hole,  $\frac{1}{8}$ " deep. Secure with a #8 x  $\frac{5}{8}$ " truss head screw.

Continue with the next adjacent screw hole working your way all the way down, making sure the flanges are firmly resting against the lumber without any bulging.

### ***Repeat for the other end of the tunnel.***

Secure both sides of the tunnel to 2" x 4" x 58 $\frac{1}{2}$ " boards with #8 x  $\frac{5}{8}$ " truss head screws. Make sure the flanges are firmly resting against the lumber without any bulging.



**GO TO THE COMPONENTS SECTION (PAGE 41 - 42)**

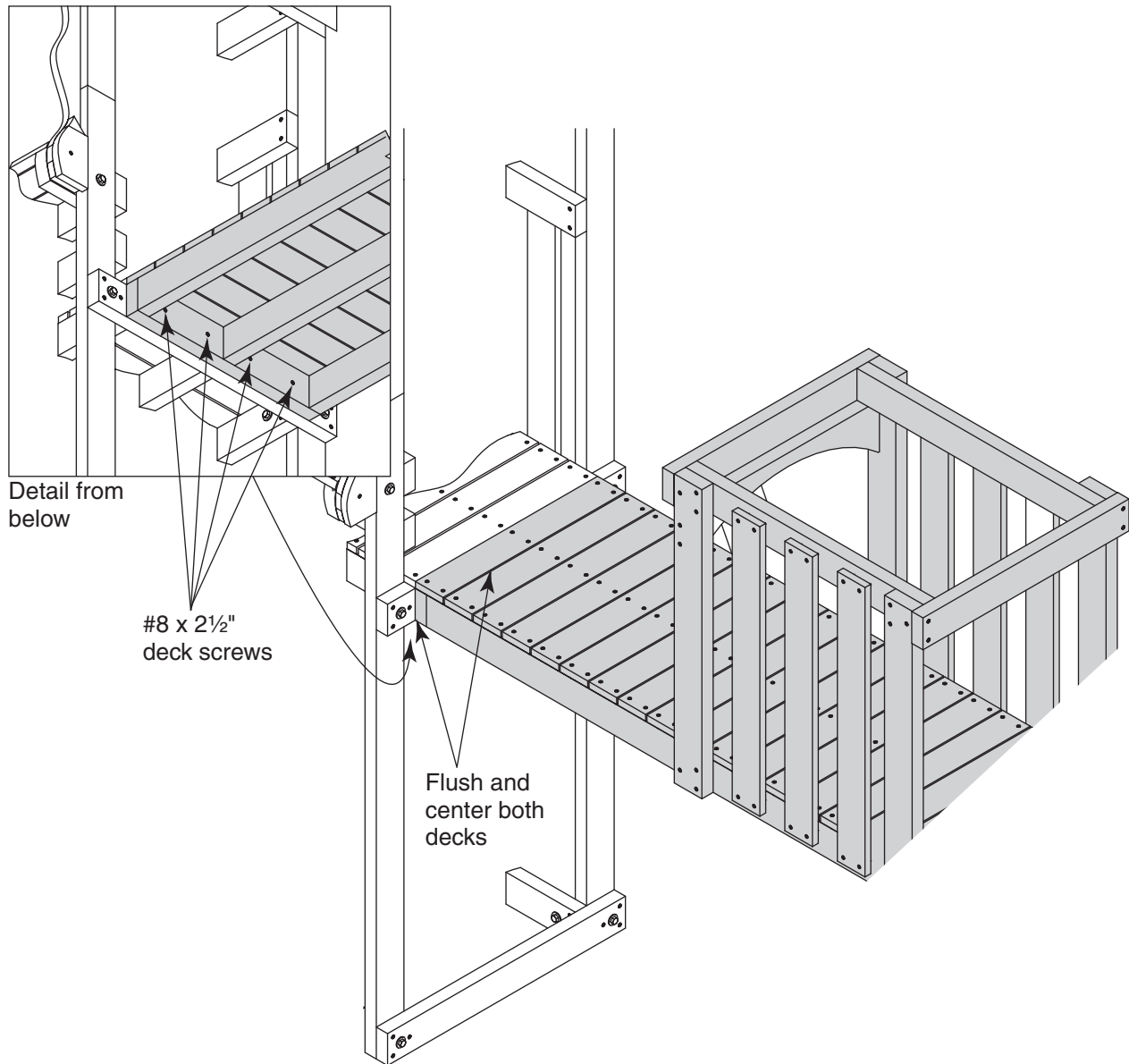


**Items for STEP 17:**

- (1) Bridge-tunnel assembly
- (4) #8 x 2½" deck screws
- (2) Anchors

Bring the Bridge-Tunnel to its final position as shown. Make sure the bridge-tunnel decking is level.

Attach Bridge-tunnel assembly to tower as shown. Make sure the bridge decking is centered with the tower decking. Also, make sure the top surfaces of both decks are flush as shown. Secure with #8 x 2½" deck screws through the holes pre-drilled previously located under decking.



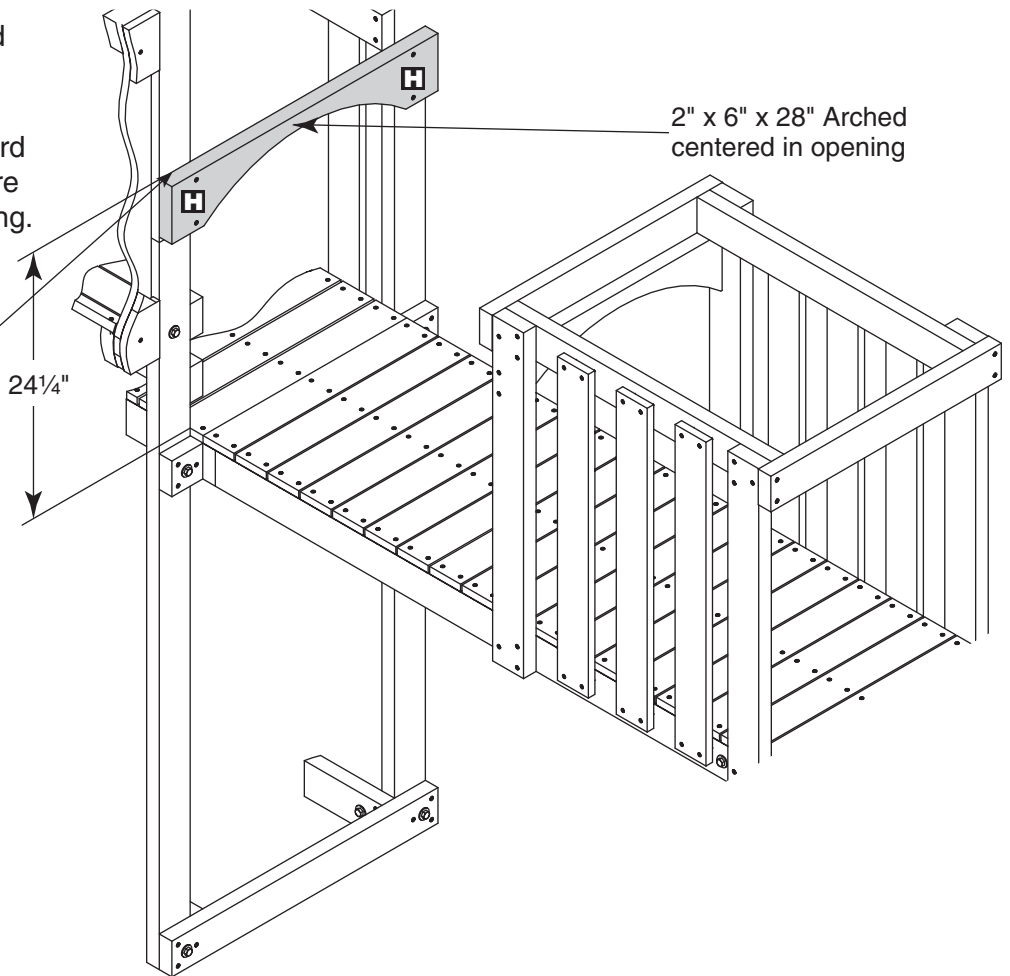
**Note: Attach anchors to the two outermost 2" x 4" supports (See page 41)**

### Items for STEP 18:

- (1) 2" x 6" x 28" arched board
- (4) #8 x 2½" deck screws

Attach the 2" x 6" x 28" arched board at the dimensions shown. Make sure the arch is centered with the opening. Secure with #8 x 2½" deck screws.

**Note: Depending on your playset model, some additional adjusting may be necessary in order to get the arched board to the 24¼" dimension.**



BUILD-IT-YOURSELF

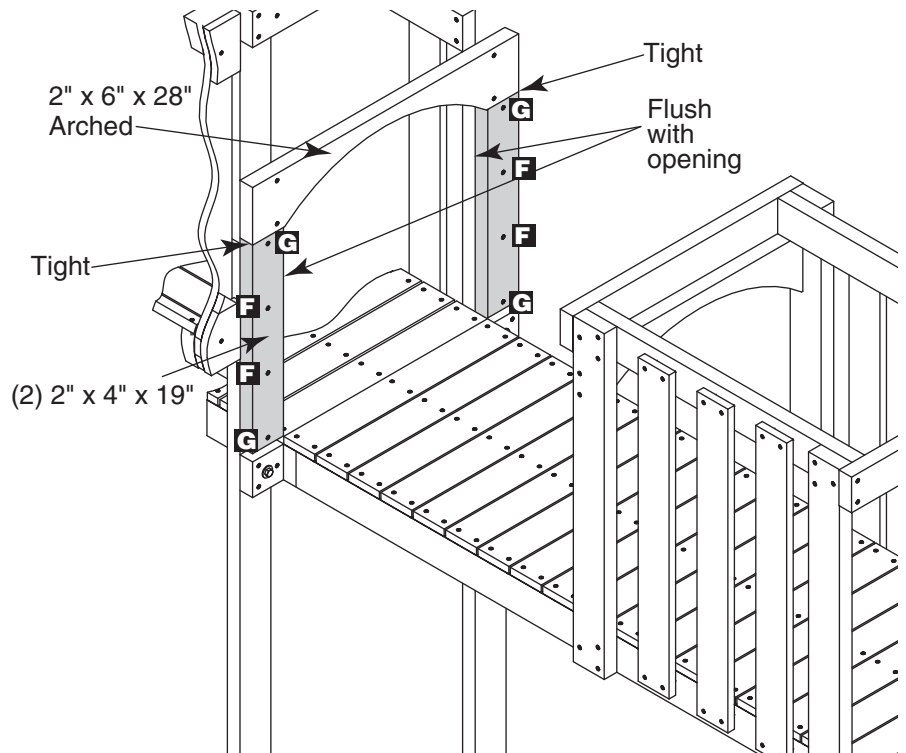
SEE PAGES 6 AND 7 FOR HOLE PATTERNS

### Items for STEP 19:

- (2) 2" x 4" x 19" boards
- (8) #8 x 2½" deck screws

Attach two 2" x 4" x 19" boards tight against the 2" x 6" x 28" arched and flush with the sides of the opening as shown. Secure with #8 x 2½" deck screws.

**Note: Depending on your playset model, some additional adjusting may be necessary.**



SEE PAGES 6 AND 7 FOR HOLE PATTERNS

### Items for STEP 20:

- (1) Tunnel
- (36) #8 x 3/4" truss head screws

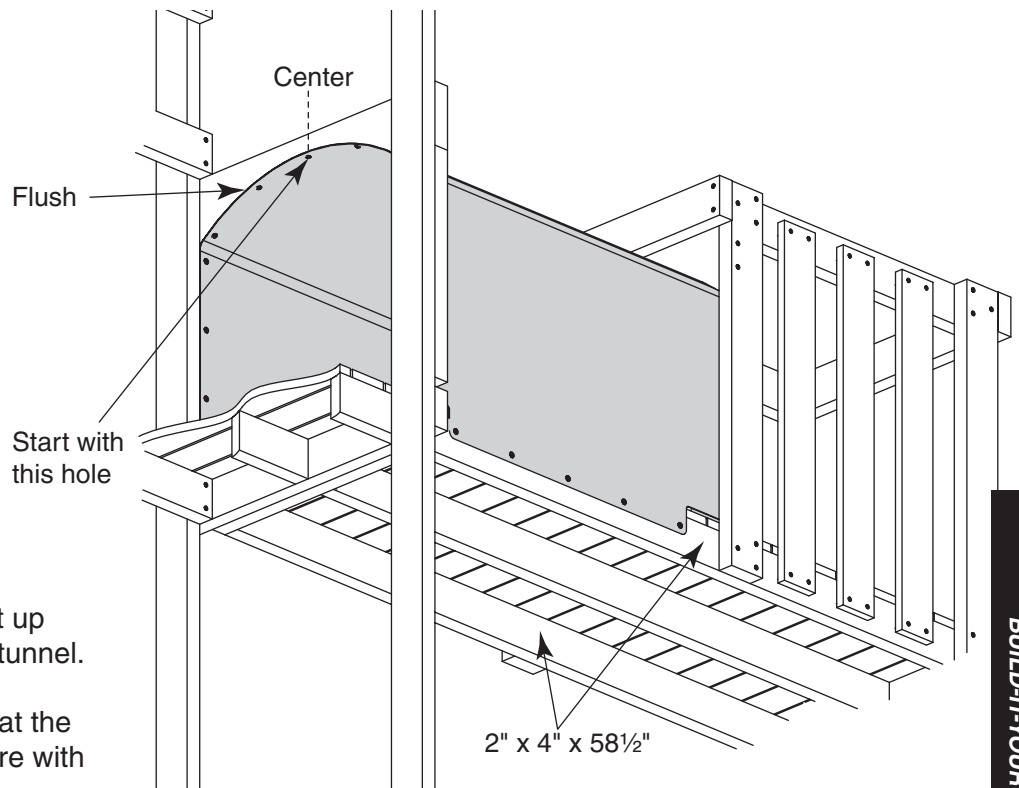
Position the tunnel into the bridge opening as shown.

Make sure the tunnel is fully inserted and the flanges are firmly resting against the lumber and the ends are flush with the sides of the lumber as shown.

Find the center of the arch and line it up with the screw hole at the top of the tunnel.

Starting with the screw hole located at the top, drill a 1/8" hole, 1/8" deep. Secure with a #8 x 3/4" truss head screw.

Continue with the next adjacent screw hole working your way all the way down, making sure the flanges are firmly resting against the lumber without any bulging.



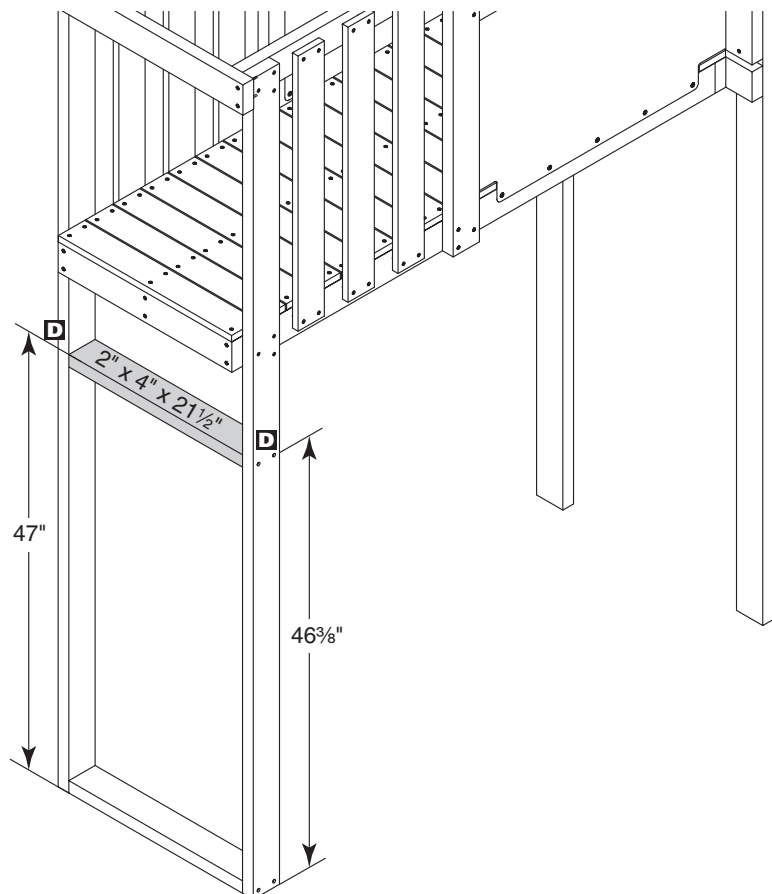
**Repeat for the other end of the tunnel.**

Secure both sides of the tunnel to 2" x 4" x 58 1/2" boards with #8 x 3/4" truss head screws. Make sure the flanges are firmly resting against the lumber without any bulging.

### Items for STEP 21:

Reinstall the lumber, climber, or slide previously attached to the tower at the end of the tunnel.

**Note: This 2" x 4" x 21 1/2" may not be required. Refer to your kit, climber, or slide instructions for complete details.**

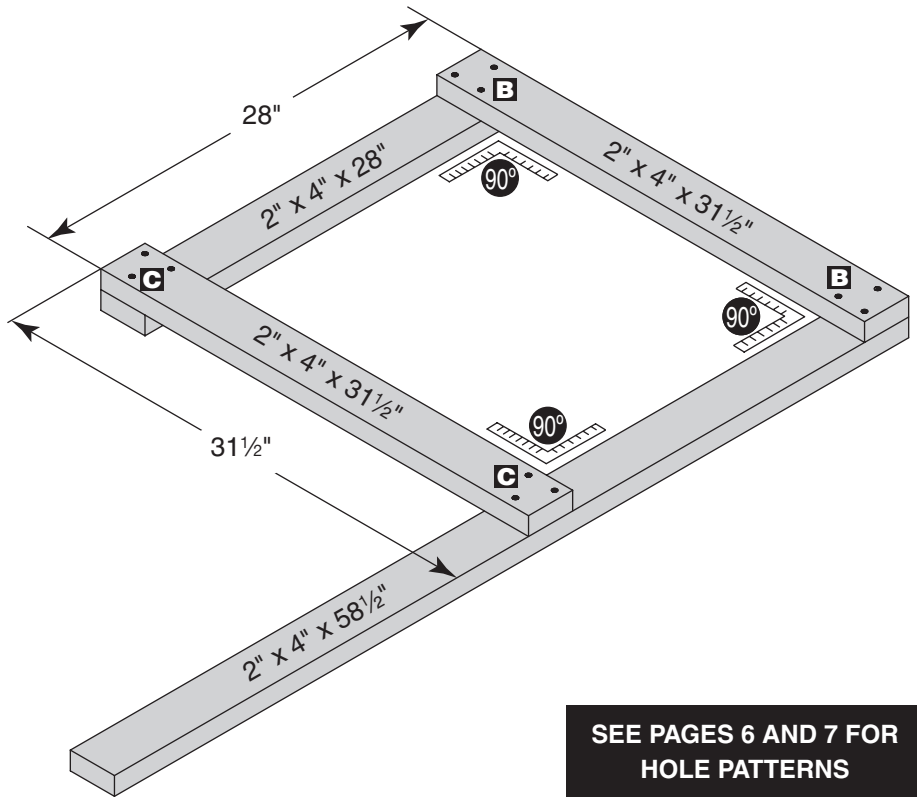


**GO TO THE COMPONENTS SECTION (PAGES 41 - 42)**

## Items for STEP 1:

- (1) 2" x 4" x 28" board
- (2) 2" x 4" x 31½" boards
- (1) 2" x 4" x 58½" board
- (12) #8 x 2½" deck screws

On a flat work surface, lay out one 2" x 4" x 58½" board and one 2" x 4" x 28" board 31½" apart. Attach two 2" x 4" x 31½" boards as shown. Make sure the assembly remains square while securing with #8 x 2½" deck screws.



SEE PAGES 6 AND 7 FOR HOLE PATTERNS

## Items for STEP 2:

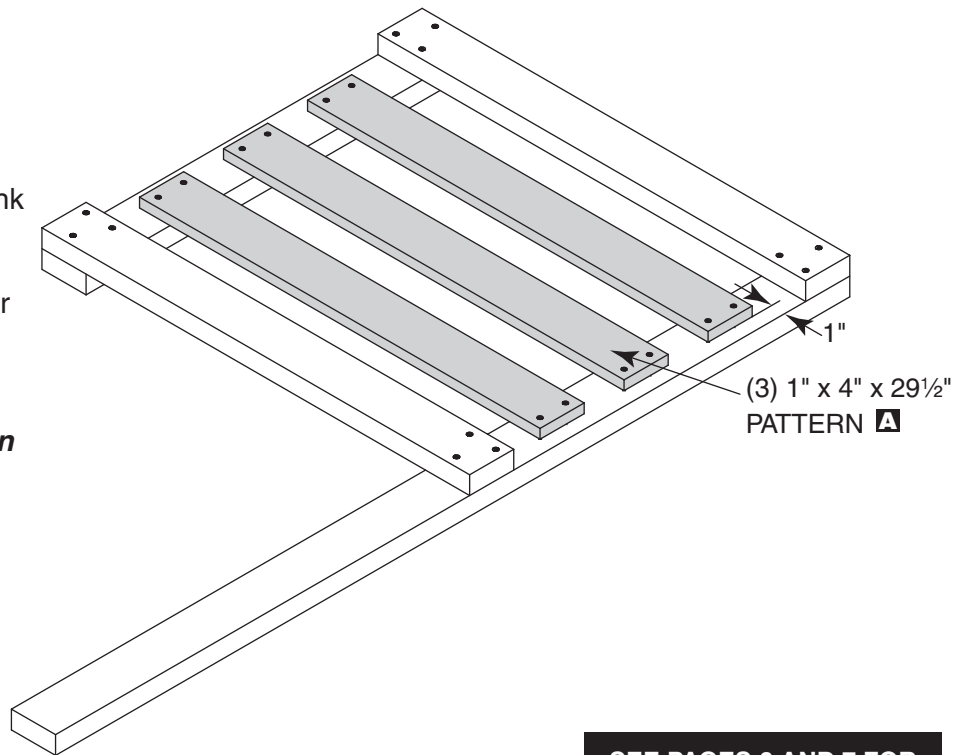
- (3) 1" x 4" x 29½" boards
- (12) #8 x 1½" deck screws

Attach three pre-drilled and countersink 1" x 4" x 29½" boards at dimensions shown. Equally space boards. Secure with #8 x 1½" deck screws. Do not over tighten the screws.

**Caution:** Failure to pre-drill and countersink the boards may result in split lumber.

**Note:** Gap between 1" x 4" x 29½" boards must not exceed 3½" or a head entrapment could exist.

**Helpful Hint:** Gap between boards should be approximately 2⅞".

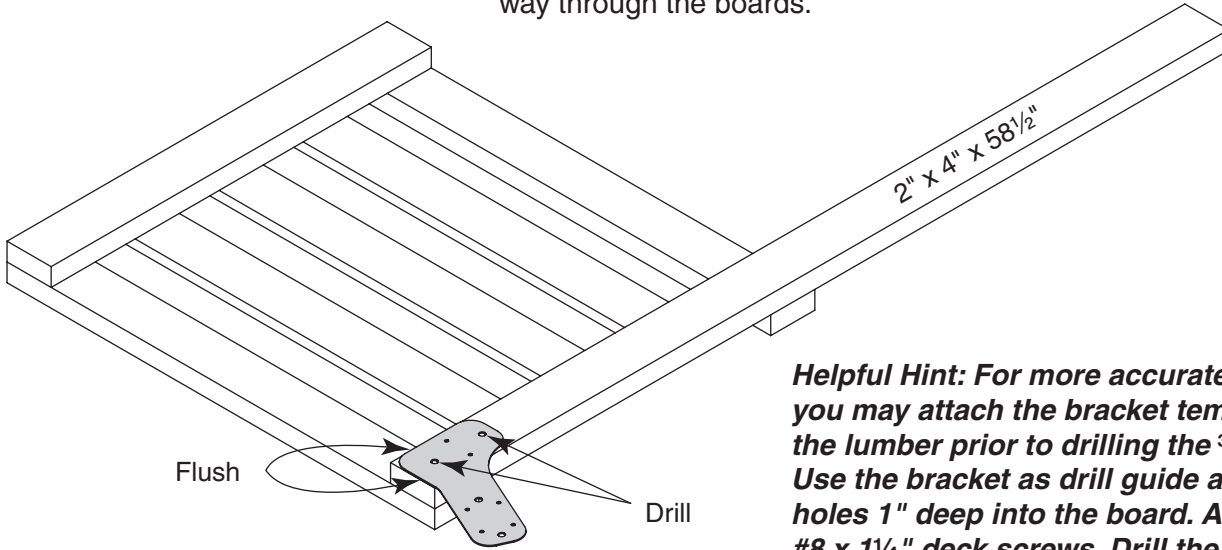


SEE PAGES 6 AND 7 FOR HOLE PATTERNS

**STEP 3:**

Flip tower side frame over as shown.

Using one of the bridge brackets as template, locate both edges of the bracket flush with edges of the 2" x 4" x 58½" as shown. Mark the two large holes at the top of the bracket. Drill using a ⅜" drill bit at the marked locations. Make sure the drill bit remains straight (perpendicular to the drilling surface) while drilling the holes all the way through the boards.



**Helpful Hint:** For more accurate drilling, you may attach the bracket temporarily to the lumber prior to drilling the ⅜" holes. Use the bracket as drill guide and drill ⅛" holes 1" deep into the board. Attach with #8 x 1¼" deck screws. Drill the ⅜" holes then remove deck screws and brackets.

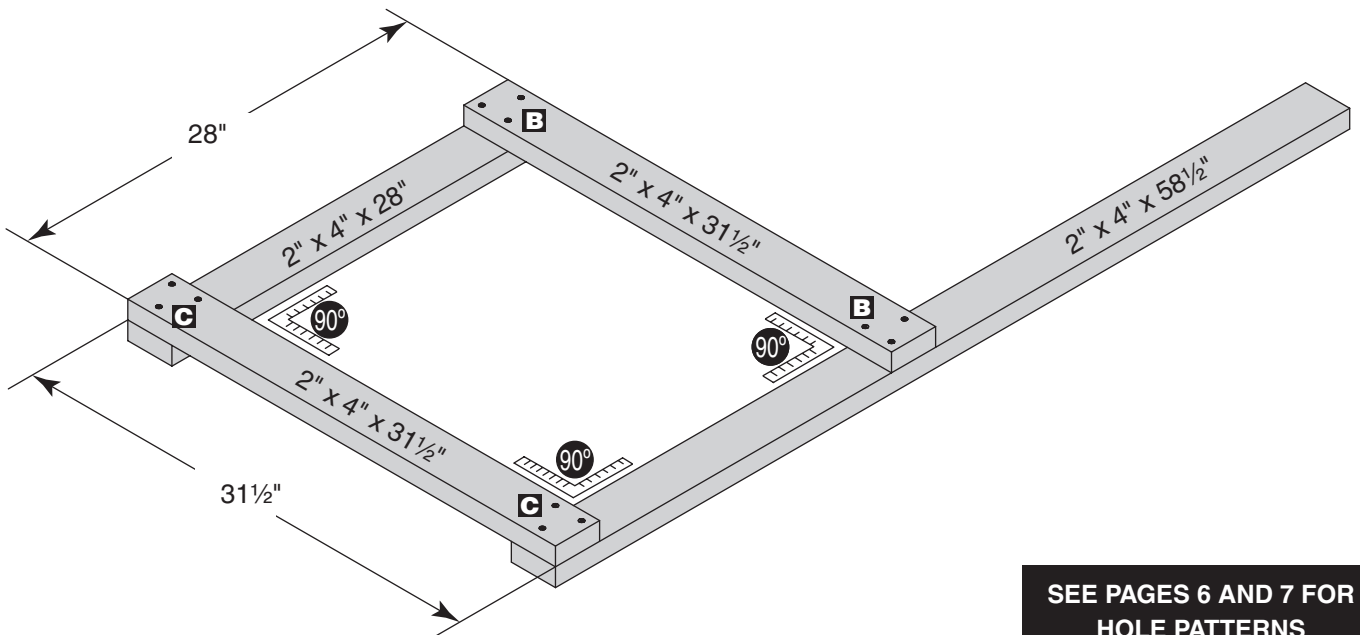
Save for later use.

Brackets will be permanently attached later.

**Items for STEP 4:**

- (1) 2" x 4" x 28" board
- (2) 2" x 4" x 31½" boards
- (1) 2" x 4" x 58½" board
- (12) #8 x 2½" deck screws

On a flat work surface, lay out one 2" x 4" x 58½" board and one 2" x 4" x 28" board 31½" apart. Attach two 2" x 4" x 31½" boards as shown. Make sure the assembly remains square while securing with #8 x 2½" deck screws.



SEE PAGES 6 AND 7 FOR HOLE PATTERNS

READY-TO-ASSEMBLE



### Items for STEP 5:

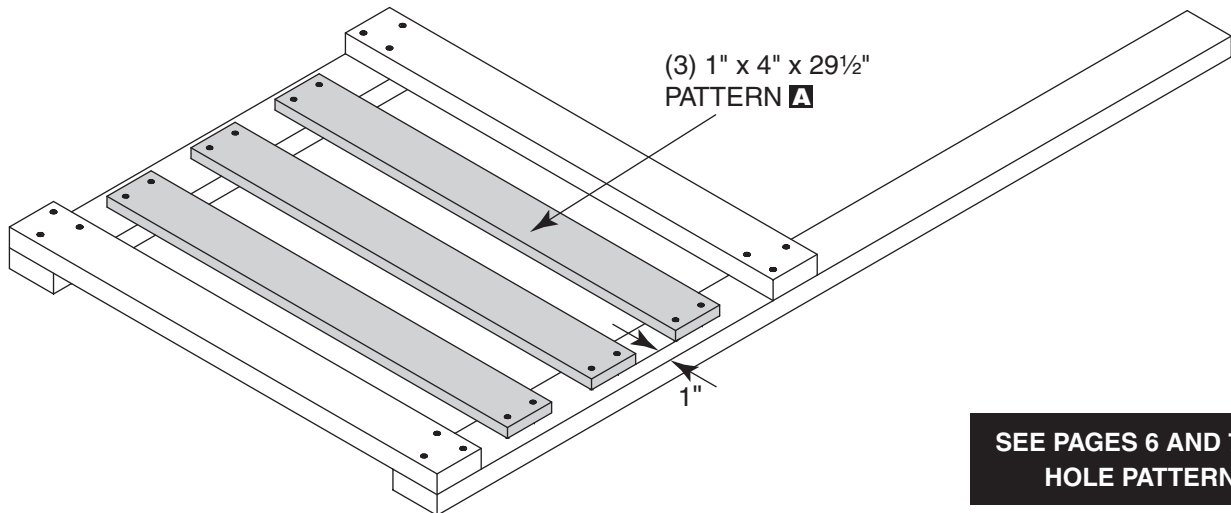
- (3) 1" x 4" x 29½" boards
- (12) #8 x 1½" deck screws

Attach three pre-drilled and counter-sink 1" x 4" x 29½" boards at dimensions shown. Equally space boards. Secure with #8 x 1½" deck screws. Do not over tighten the screws.

**Caution: Failure to pre-drill and counter-sink the boards may result in split lumber.**

**Note: Gap between 1" x 4" x 29½" boards must not exceed 3½" or a head entrapment could exist.**

**Helpful Hint: Gap between boards should be approximately 2⅞".**

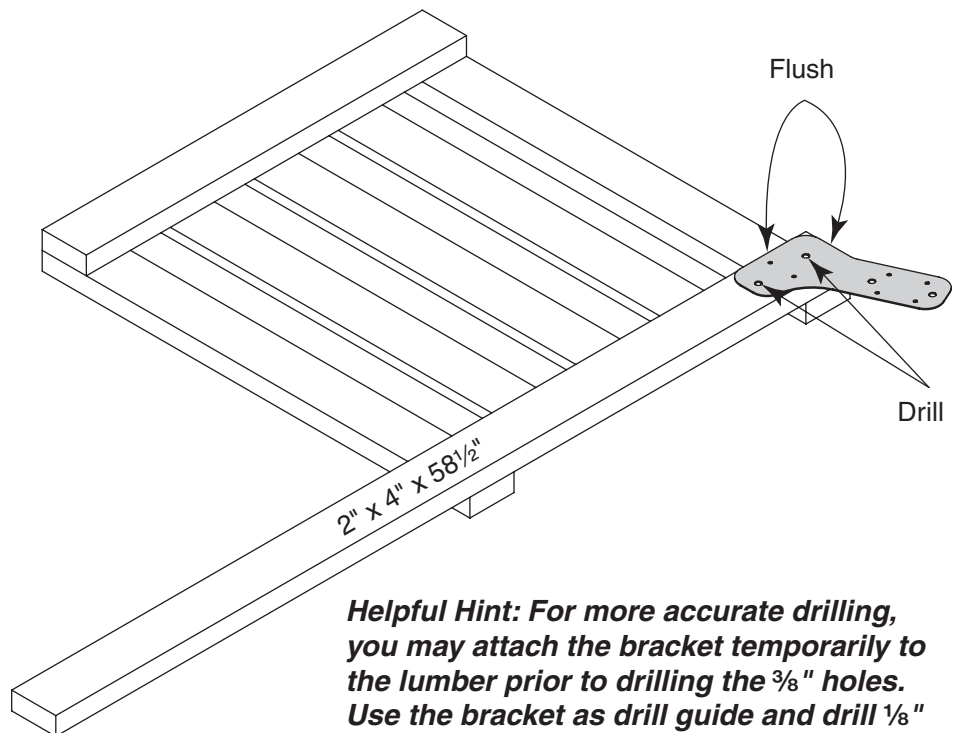


SEE PAGES 6 AND 7 FOR HOLE PATTERNS

### STEP 6:

Flip tower side frame over as shown.

Using one of the bridge brackets as template, locate both edges of the bracket flush with edges of the 2" x 4" x 58½" as shown. Mark the two large holes at the top of the bracket. Drill using a ⅜" drill bit at the marked locations. Make sure the drill bit remains straight (perpendicular to the drilling surface) while drilling the holes all the way through the boards.



**Helpful Hint: For more accurate drilling, you may attach the bracket temporarily to the lumber prior to drilling the ⅜" holes. Use the bracket as drill guide and drill ⅛" holes 1" deep into the board. Attach with #8 x 1¼" deck screws. Drill the ⅜" holes then remove deck screws and brackets.**

**Brackets will be permanently attached later.**

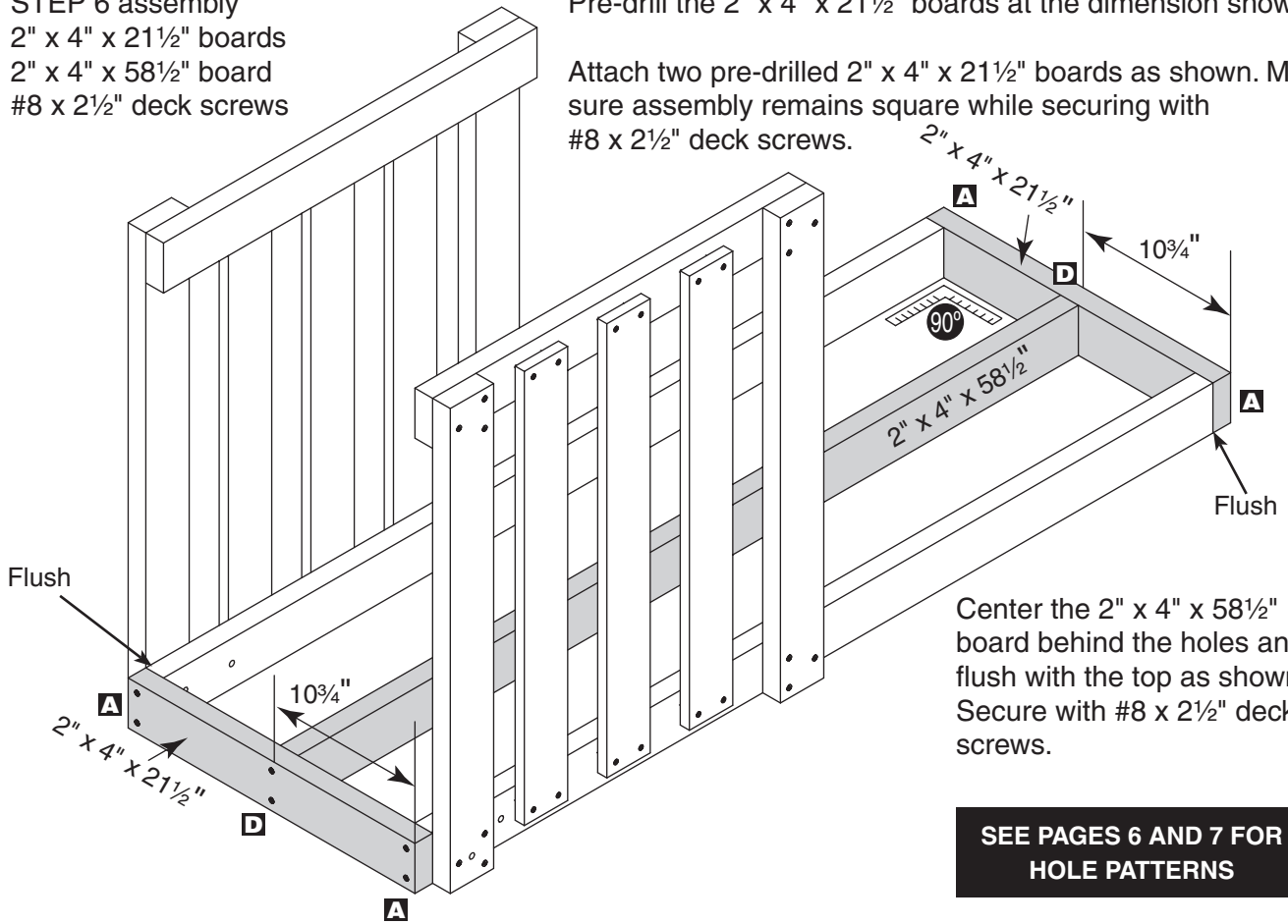
**Items for STEP 7:**

- (1) STEP 3 assembly
- (1) STEP 6 assembly
- (2) 2" x 4" x 21½" boards
- (1) 2" x 4" x 58½" board
- (12) #8 x 2½" deck screws

Stand left and right side assemblies up as shown approximately 21½" apart.

Pre-drill the 2" x 4" x 21½" boards at the dimension shown.

Attach two pre-drilled 2" x 4" x 21½" boards as shown. Make sure assembly remains square while securing with #8 x 2½" deck screws.



**SEE PAGES 6 AND 7 FOR HOLE PATTERNS**

**Items for STEP 8:**

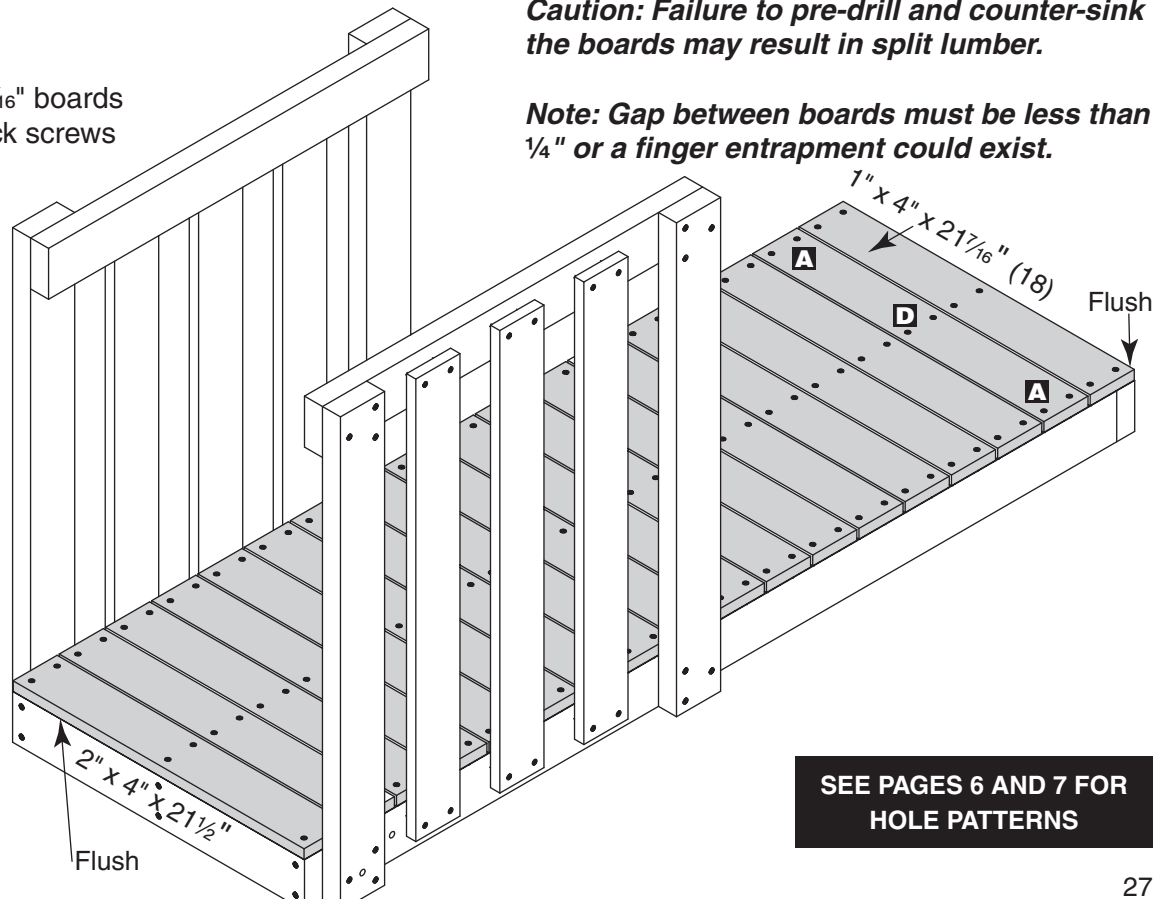
- (18) 1" x 4" x 21⅙" boards
- (108) #8 x 1½" deck screws

Attach eighteen pre-drilled and counter-sank 1" x 4" x 21⅙" boards.

Attach the front and back boards flush with the 2" x 4" x 21½" boards and equally space the remaining boards. Secure all boards with #8 x 1½" deck screws. Do not over tighten the screws.

**Caution:** Failure to pre-drill and counter-sink the boards may result in split lumber.

**Note:** Gap between boards must be less than ¼" or a finger entrapment could exist.



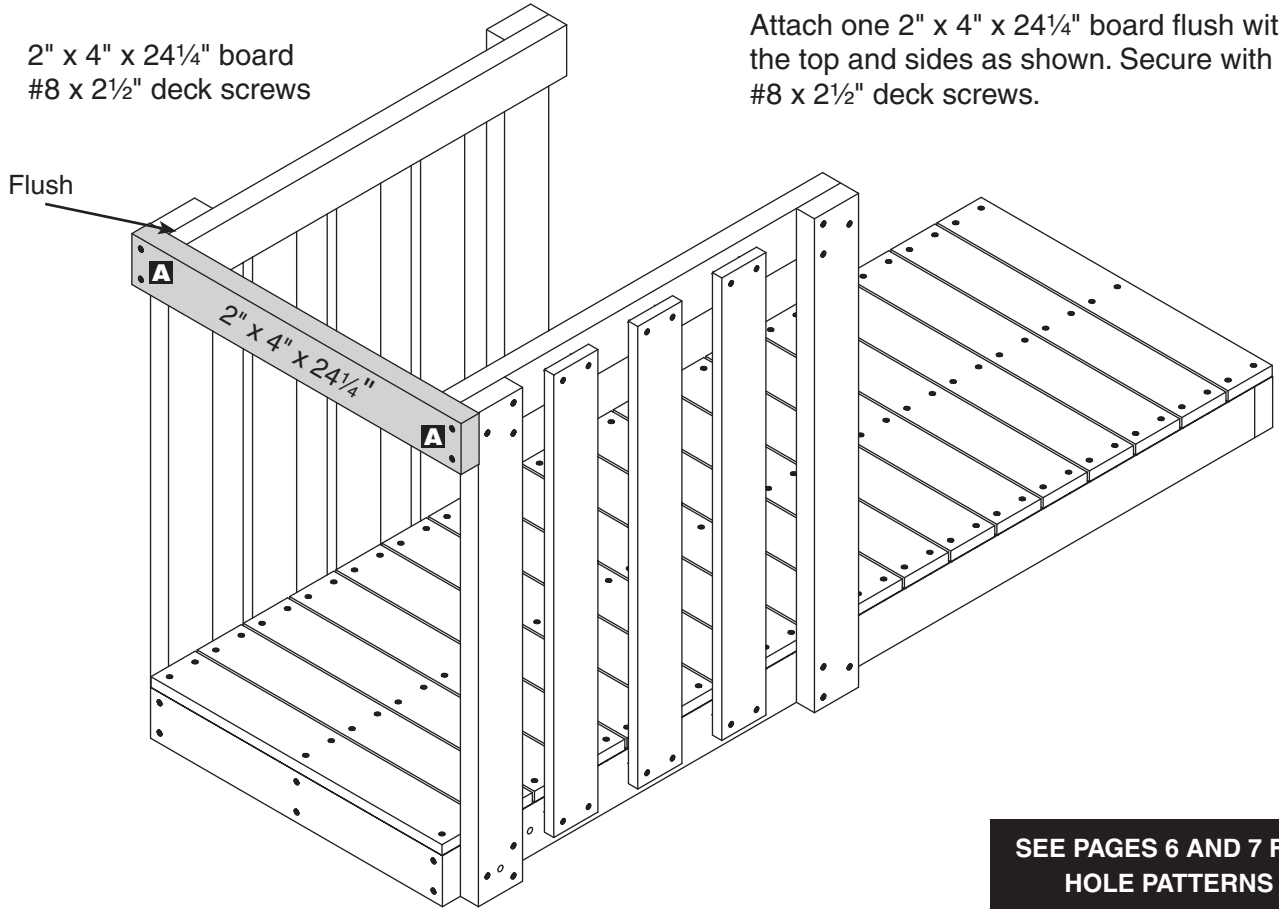
**SEE PAGES 6 AND 7 FOR HOLE PATTERNS**

READY-TO-ASSEMBLE

**Items for STEP 9:**

- (1) 2" x 4" x 24¼" board
- (4) #8 x 2½" deck screws

Attach one 2" x 4" x 24¼" board flush with the top and sides as shown. Secure with #8 x 2½" deck screws.



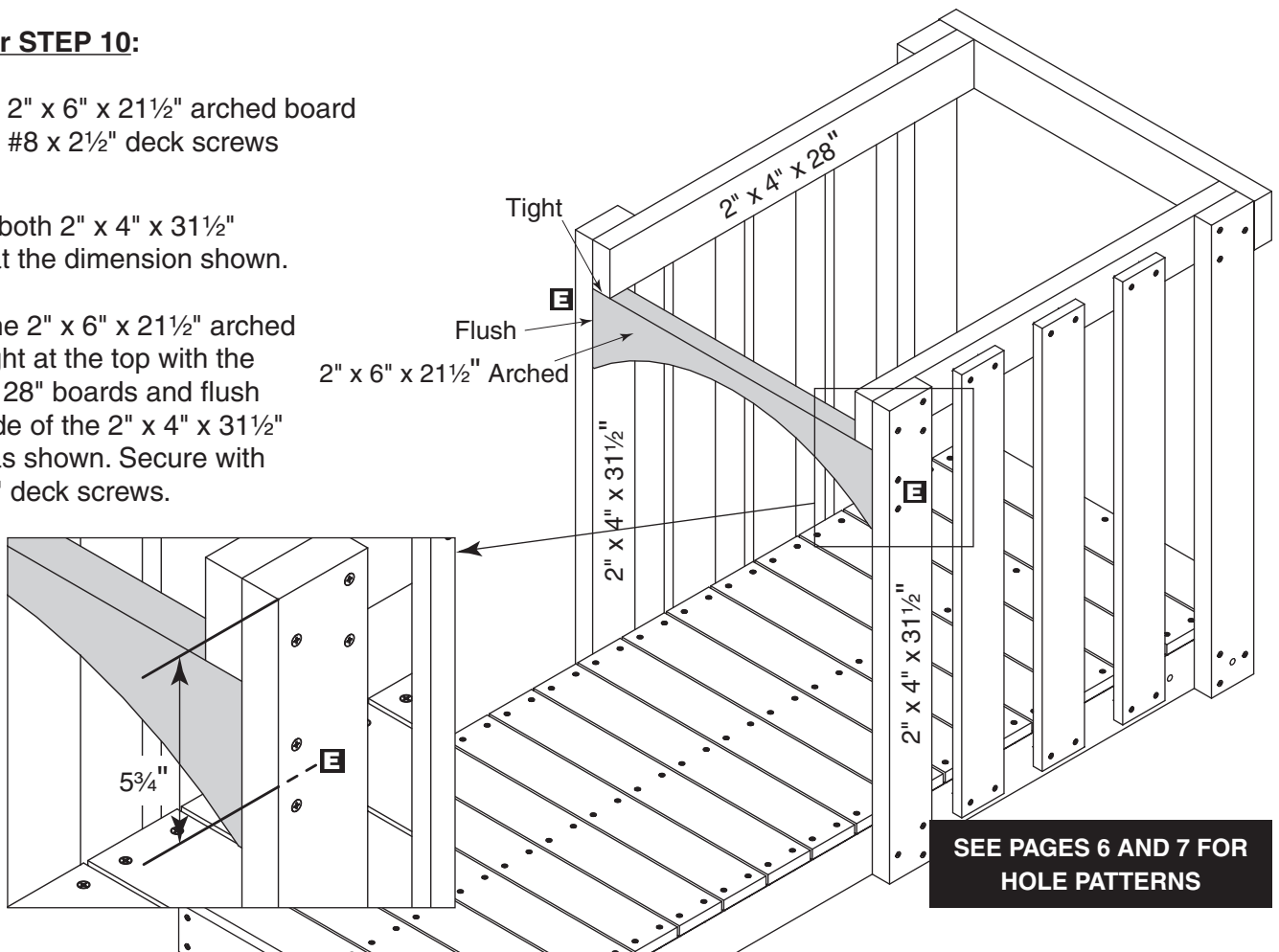
**SEE PAGES 6 AND 7 FOR HOLE PATTERNS**

**Items for STEP 10:**

- (1) 2" x 6" x 21½" arched board
- (4) #8 x 2½" deck screws

Pre-drill both 2" x 4" x 31½" boards at the dimension shown.

Attach the 2" x 6" x 21½" arched board tight at the top with the 2" x 4" x 28" boards and flush at the side of the 2" x 4" x 31½" boards as shown. Secure with #8 x 2½" deck screws.

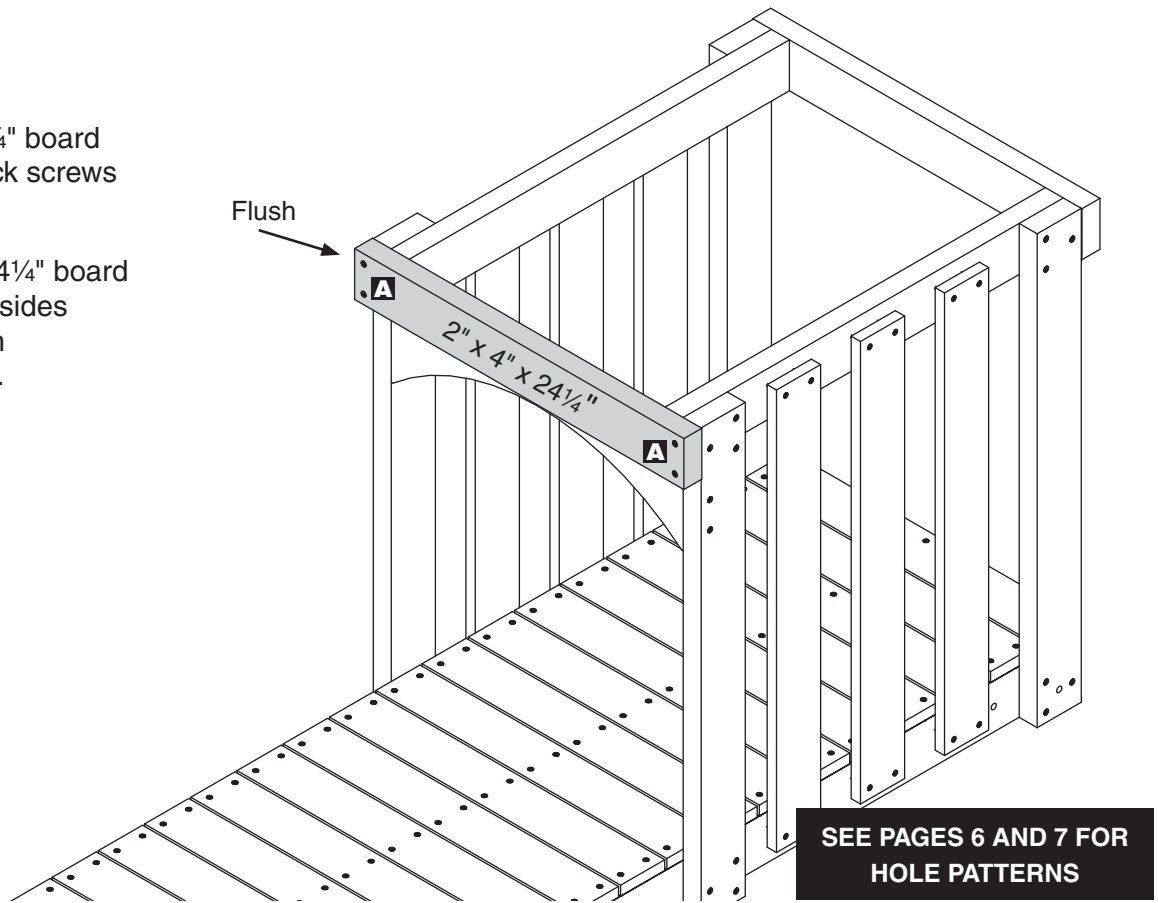


**SEE PAGES 6 AND 7 FOR HOLE PATTERNS**

**Items for STEP 11:**

- (1) 2" x 4" x 24¼" board
- (4) #8 x 2½" deck screws

Attach one 2" x 4" x 24¼" board flush with the top and sides as shown. Secure with #8 x 2½" deck screws.



SEE PAGES 6 AND 7 FOR HOLE PATTERNS



**If you are attaching this Tunnel kit to an existing PlayStar RTA Playset, skip to Step 15.**

**Items for STEP 12:**

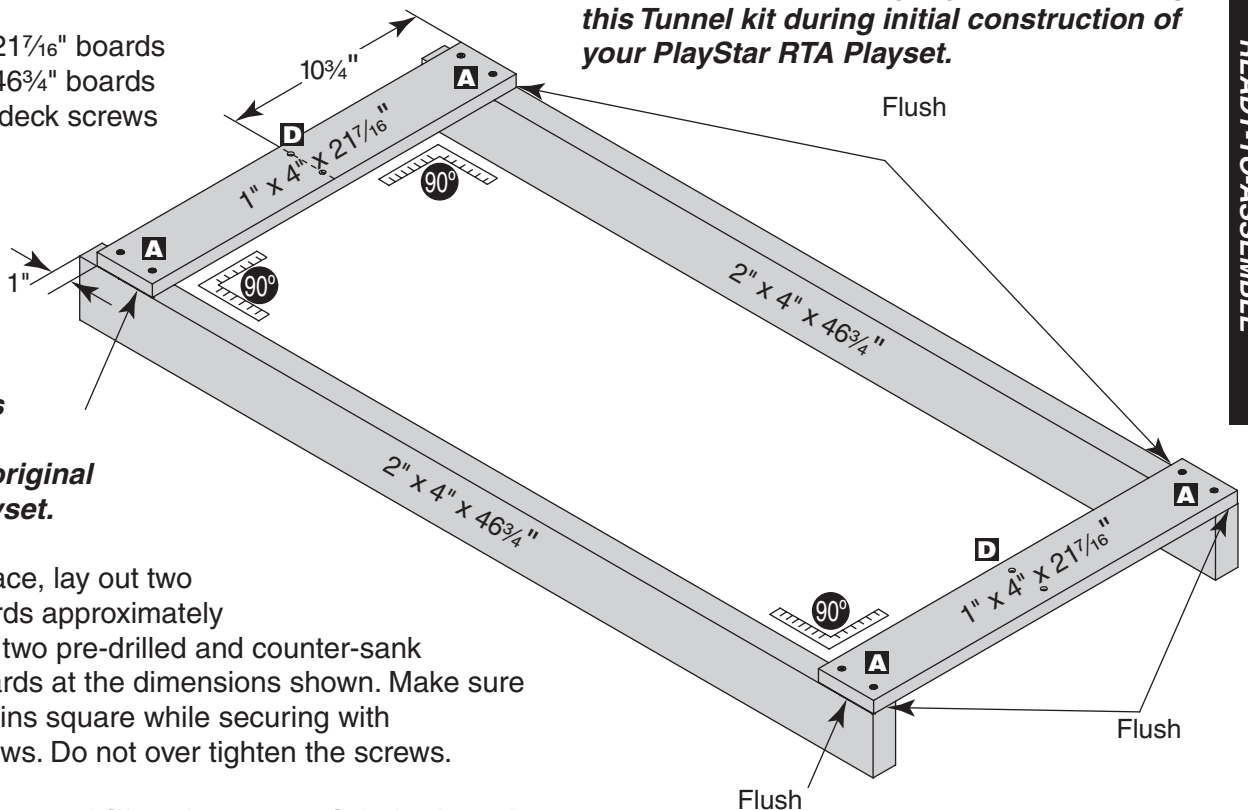
- (2) 1" x 4" x 217/16" boards
- (2) 2" x 4" x 46¾" boards
- (8) #8 x 1½" deck screws

**Note: The lumber and hardware referred to on this section has been included in your original PlayStar RTA Playset.**

On a flat work surface, lay out two 2" x 4" x 46¾" boards approximately 21½" apart. Attach two pre-drilled and counter-sank 1" x 4" x 217/16" boards at the dimensions shown. Make sure the assembly remains square while securing with #8 x 1½" deck screws. Do not over tighten the screws.

**Caution: Failure to pre-drill and counter-sink the boards may result in split lumber.**

**Follow this section only if you are attaching this Tunnel kit during initial construction of your PlayStar RTA Playset.**



SEE PAGES 6 AND 7 FOR HOLE PATTERNS

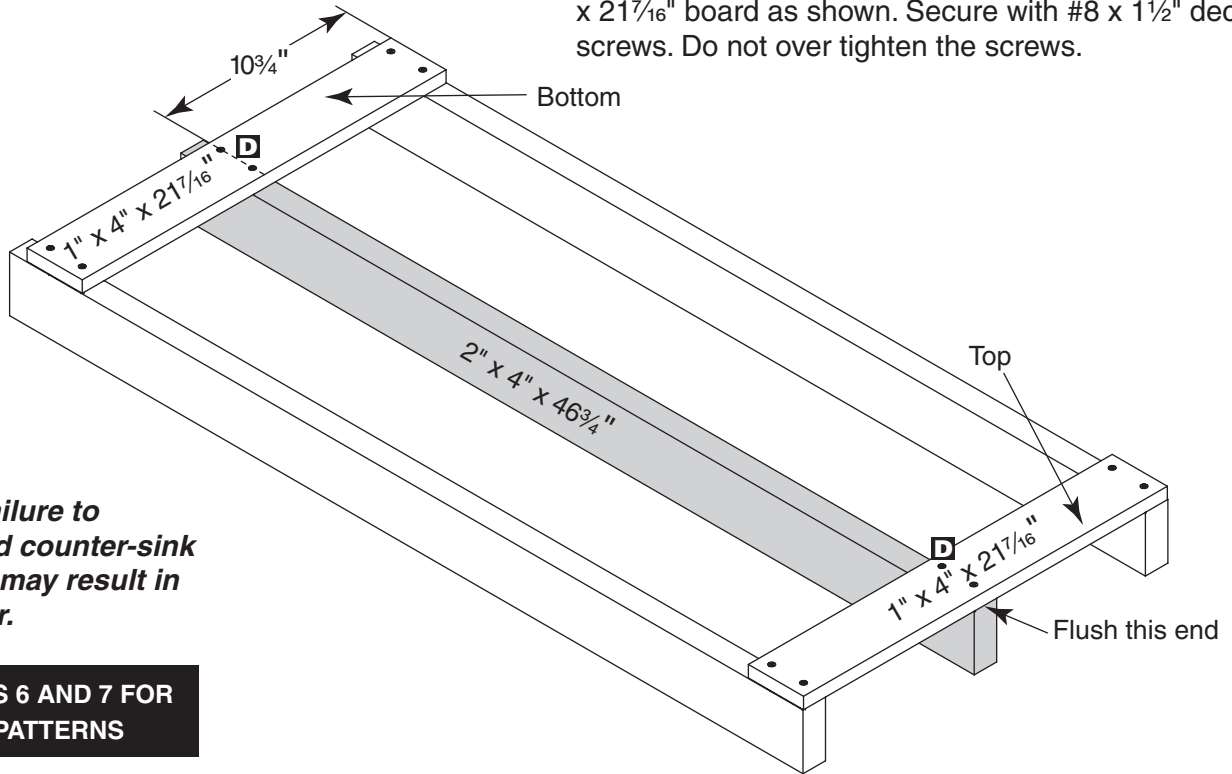
READY-TO-ASSEMBLE

**Items for STEP 13:**

- (1) 2" x 4" x 46<sup>3</sup>/<sub>4</sub>" board
- (4) #8 x 1<sup>1</sup>/<sub>2</sub>" deck screws

Center the 2" x 4" x 46<sup>3</sup>/<sub>4</sub>" board behind and flush with the top 1" x 4" x 21<sup>7</sup>/<sub>16</sub>" board as shown. Secure with #8 x 1<sup>1</sup>/<sub>2</sub>" deck screws. Do not over tighten the screws.

Center the 2" x 4" x 46<sup>3</sup>/<sub>4</sub>" board behind bottom 1" x 4" x 21<sup>7</sup>/<sub>16</sub>" board as shown. Secure with #8 x 1<sup>1</sup>/<sub>2</sub>" deck screws. Do not over tighten the screws.



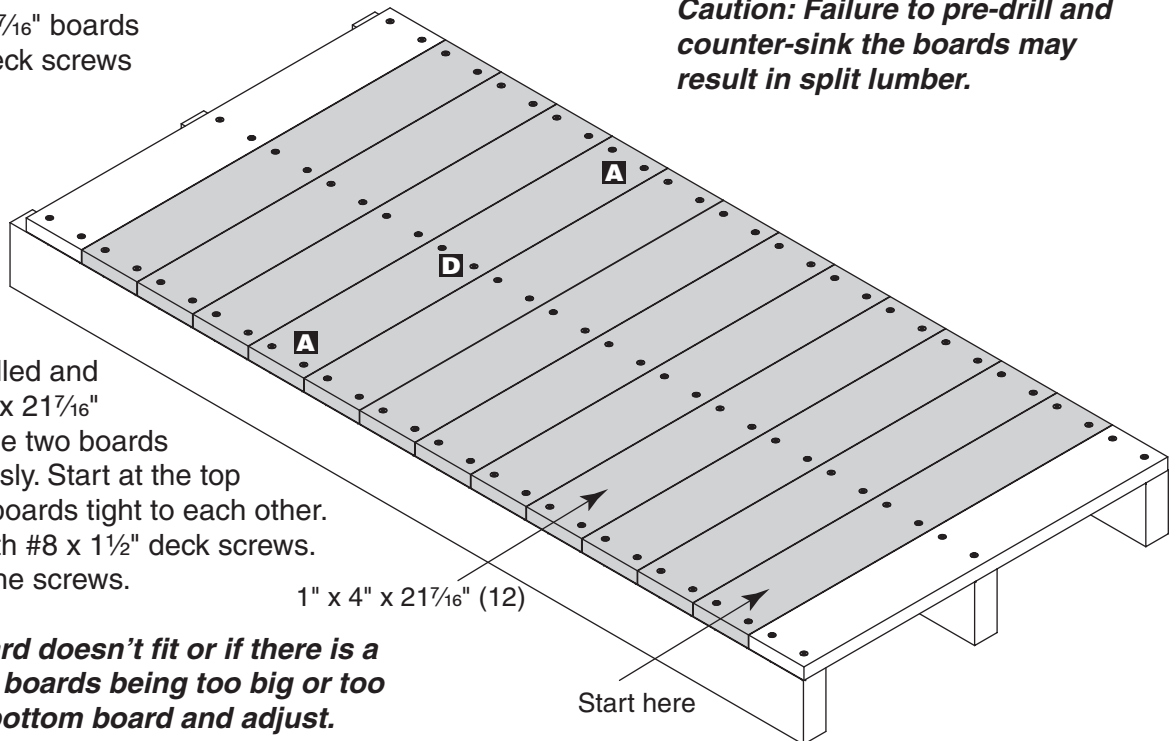
**Caution: Failure to pre-drill and counter-sink the boards may result in split lumber.**

**SEE PAGES 6 AND 7 FOR HOLE PATTERNS**

**Items for STEP 14:**

- (12) 1" x 4" x 21<sup>7</sup>/<sub>16</sub>" boards
- (72) #8 x 1<sup>1</sup>/<sub>2</sub>" deck screws

**Caution: Failure to pre-drill and counter-sink the boards may result in split lumber.**



Attach twelve pre-drilled and counter-sank 1" x 4" x 21<sup>7</sup>/<sub>16</sub>" boards in between the two boards you attached previously. Start at the top as shown and keep boards tight to each other. Secure all boards with #8 x 1<sup>1</sup>/<sub>2</sub>" deck screws. Do not over tighten the screws.

**Note: If the last board doesn't fit or if there is a gap because of the boards being too big or too small, remove the bottom board and adjust.**

**SEE PAGES 6 AND 7 FOR HOLE PATTERNS**

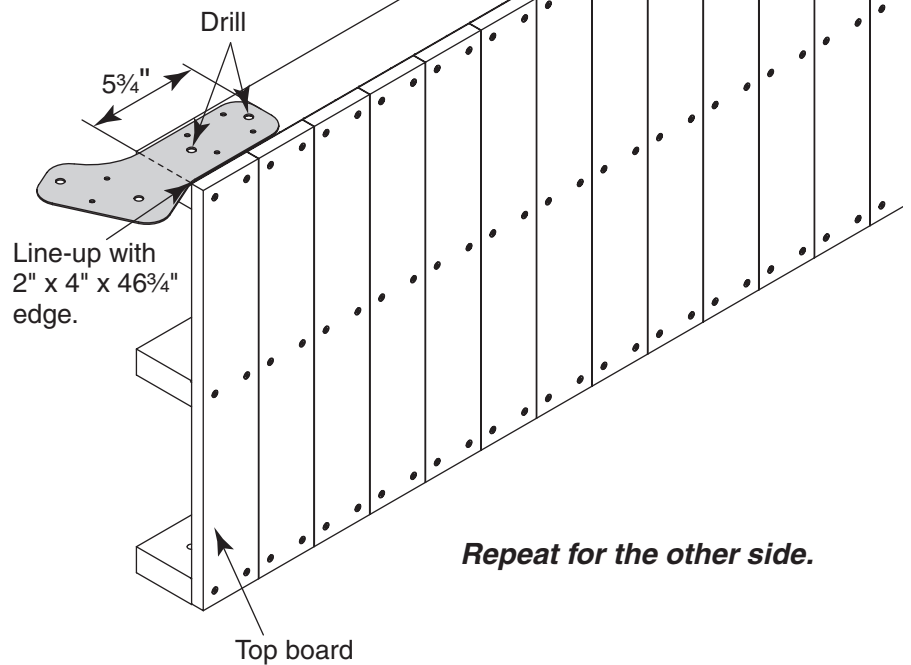


## STEP 15:

**Note: If you are attaching this Tunnel kit to an existing PlayStar RTA playset remove the rock wall and the hardware that attaches it from the playset. Save the hardware for later use.**

Put rock wall assembly on its side as shown.

Using one of the bridge brackets as template, locate the front edge of the bracket lining up with the edge of the 2" x 4" x 46 $\frac{3}{4}$ " and the bottom edge at the dimension shown. Mark the two large holes of the bracket. Drill using a  $\frac{3}{8}$ " drill bit at the marked locations. Make sure the drill bit remains straight (perpendicular to the drilling surface) while drilling the holes.



**Helpful Hint: For more accurate drilling, you may attach the bracket temporarily to the lumber prior to drilling the  $\frac{3}{8}$ " holes. Use the bracket as drill guide and drill  $\frac{1}{8}$ " holes 1" deep into the board. Attach with #8 x 1 $\frac{1}{4}$ " deck screws. Drill the  $\frac{3}{8}$ " holes then remove deck screws and brackets.**

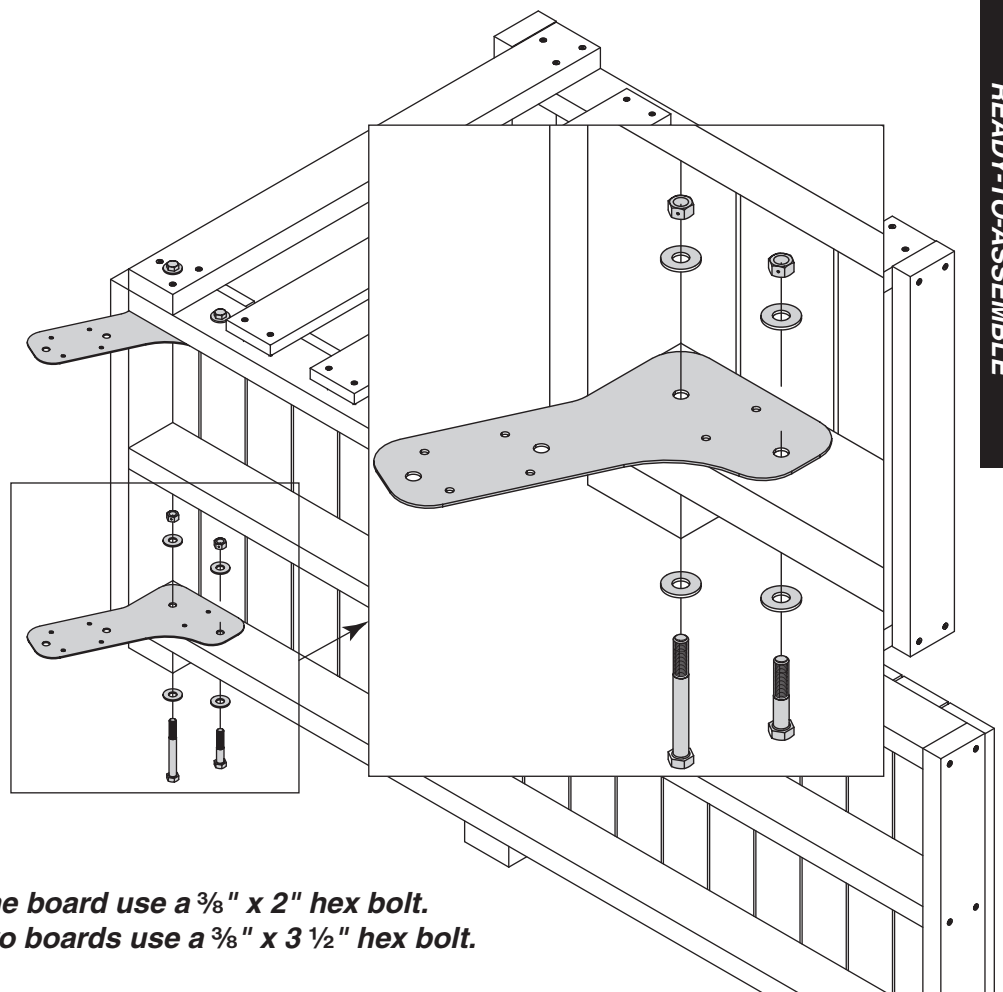
**Brackets will be permanently attached later.**

## Items for STEP 16:

- (1) STEP 11 assembly
- (2) Bridge Brackets
- (2)  $\frac{3}{8}$ " x 2" hex bolts
- (2)  $\frac{3}{8}$ " x 3 $\frac{1}{2}$ " hex bolts
- (8)  $\frac{3}{8}$ " washers
- (4)  $\frac{3}{8}$ " lock nuts

Position the brackets as shown. Make sure the  $\frac{3}{8}$ " holes line up with the holes previously drilled.

Secure bridge brackets with  $\frac{3}{8}$ " x 3 $\frac{1}{2}$ " and  $\frac{3}{8}$ " x 2" hex bolts,  $\frac{3}{8}$ " washers and  $\frac{3}{8}$ " lock nuts.



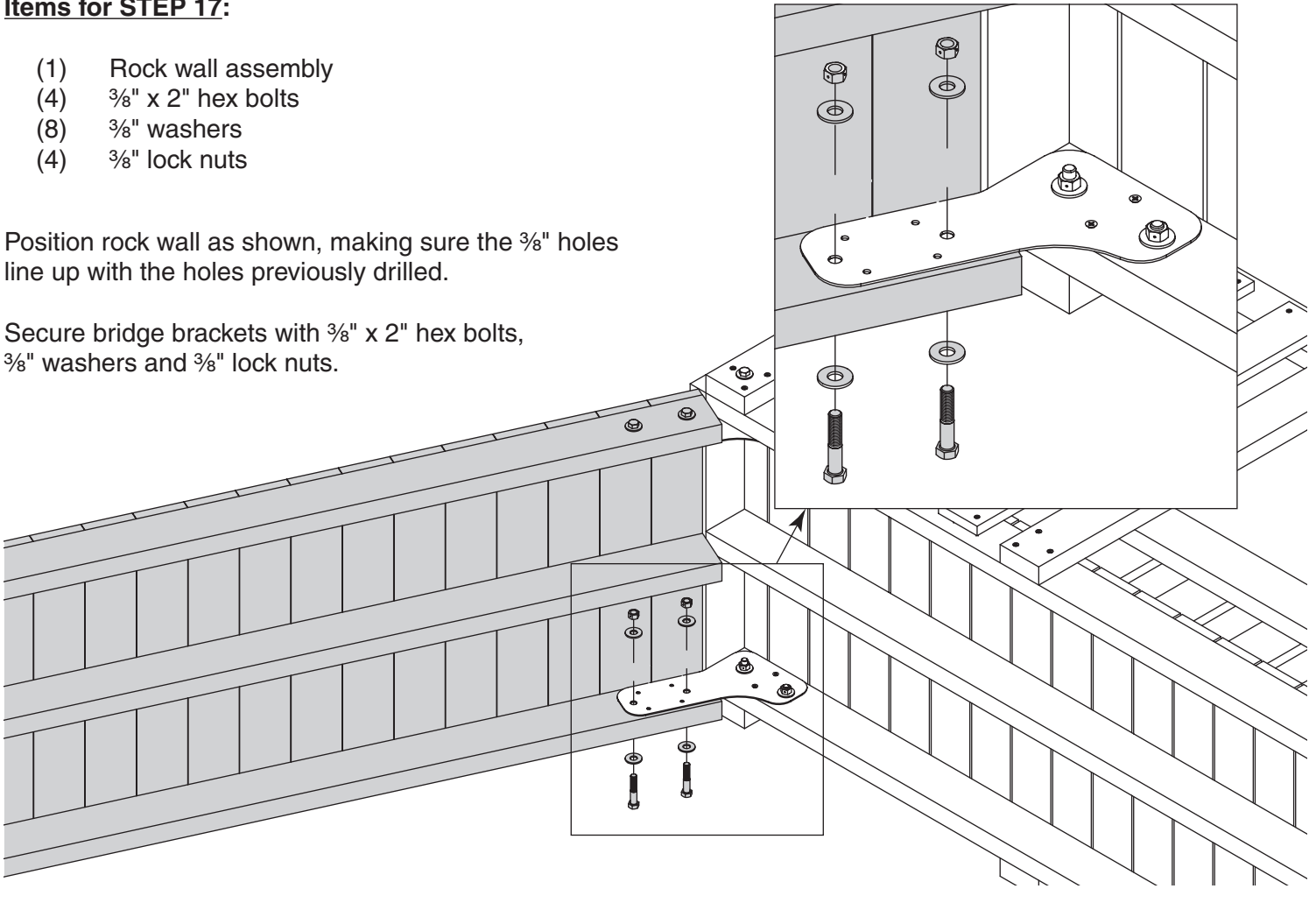
**Note: If you are bolting through one board use a  $\frac{3}{8}$ " x 2" hex bolt.  
If you are bolting through two boards use a  $\frac{3}{8}$ " x 3 $\frac{1}{2}$ " hex bolt.**

**Items for STEP 17:**

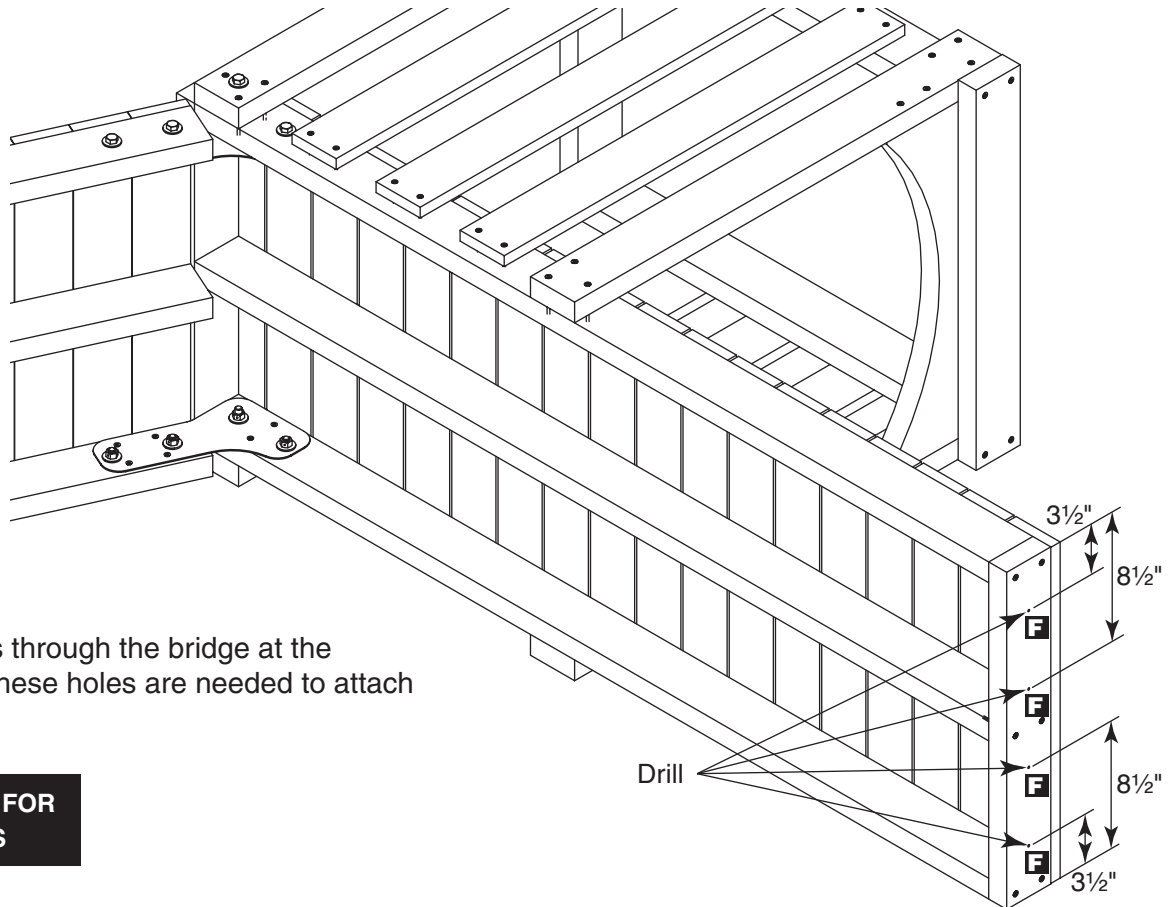
- (1) Rock wall assembly
- (4)  $\frac{3}{8}$ " x 2" hex bolts
- (8)  $\frac{3}{8}$ " washers
- (4)  $\frac{3}{8}$ " lock nuts

Position rock wall as shown, making sure the  $\frac{3}{8}$ " holes line up with the holes previously drilled.

Secure bridge brackets with  $\frac{3}{8}$ " x 2" hex bolts,  $\frac{3}{8}$ " washers and  $\frac{3}{8}$ " lock nuts.



**STEP 18:**



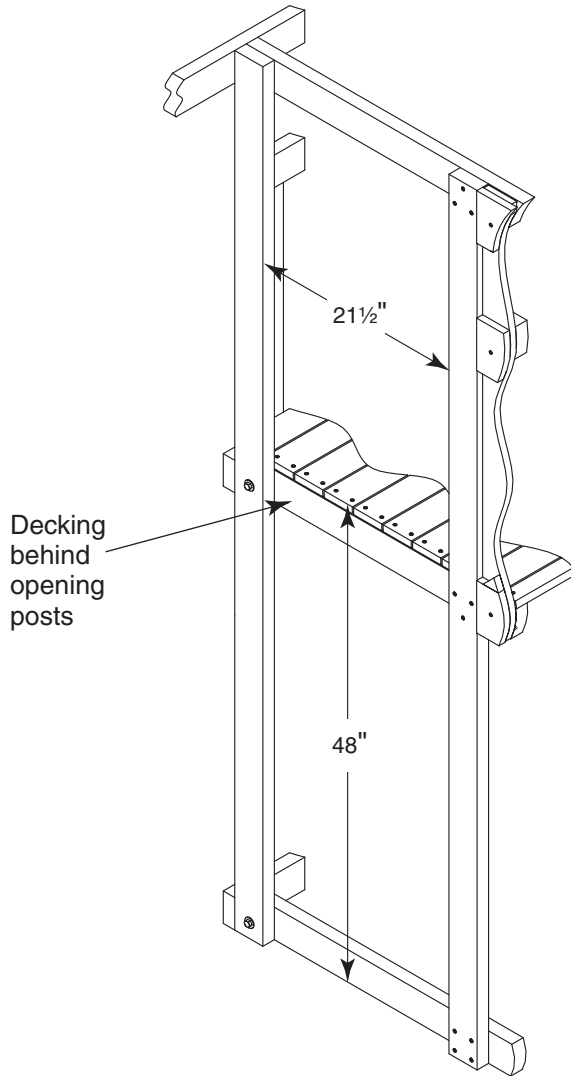
Pre-drill four  $\frac{1}{8}$ " holes through the bridge at the dimensions shown. These holes are needed to attach it to the playset.

**SEE PAGES 6 AND 7 FOR HOLE PATTERNS**

**STEP 19-A:**

Identify your Playset's opening where tunnel kit is to be attached. It should look like either STEP 19-A or STEP 19-B.

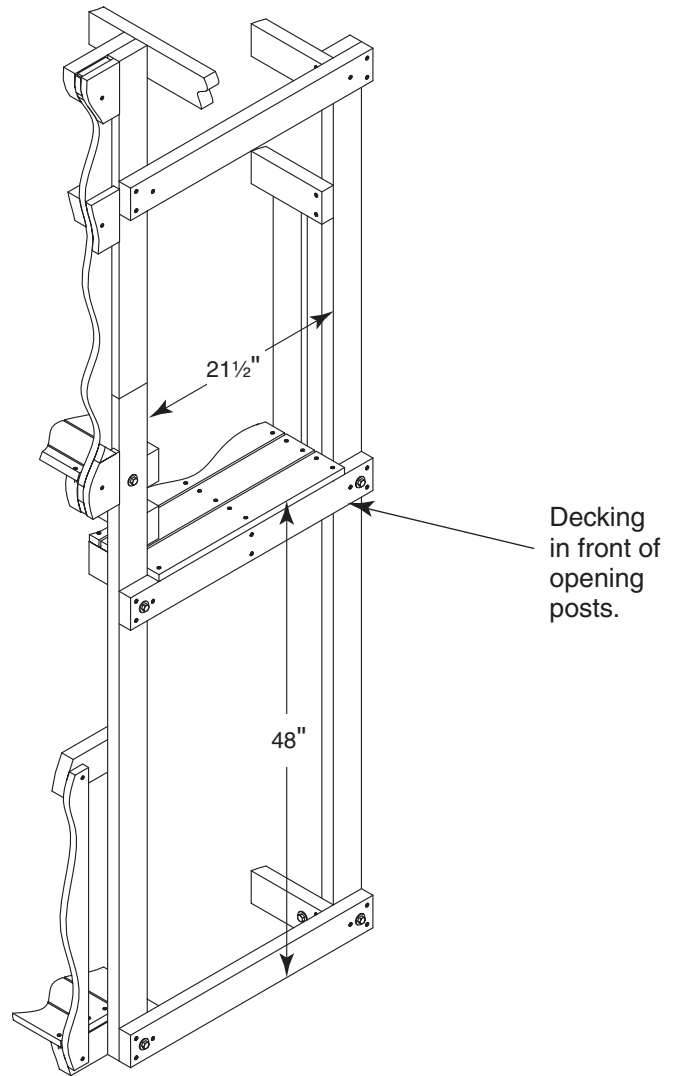
If opening is like this, skip to **STEP 20.**



**STEP 19-B:**

Identify your Playset's opening where tunnel kit is to be attached. It should look like either STEP 19-A or STEP 19-B.

If opening is like this, skip to **STEP 24.**



READY-TO-ASSEMBLE

**Items for STEP 20:**

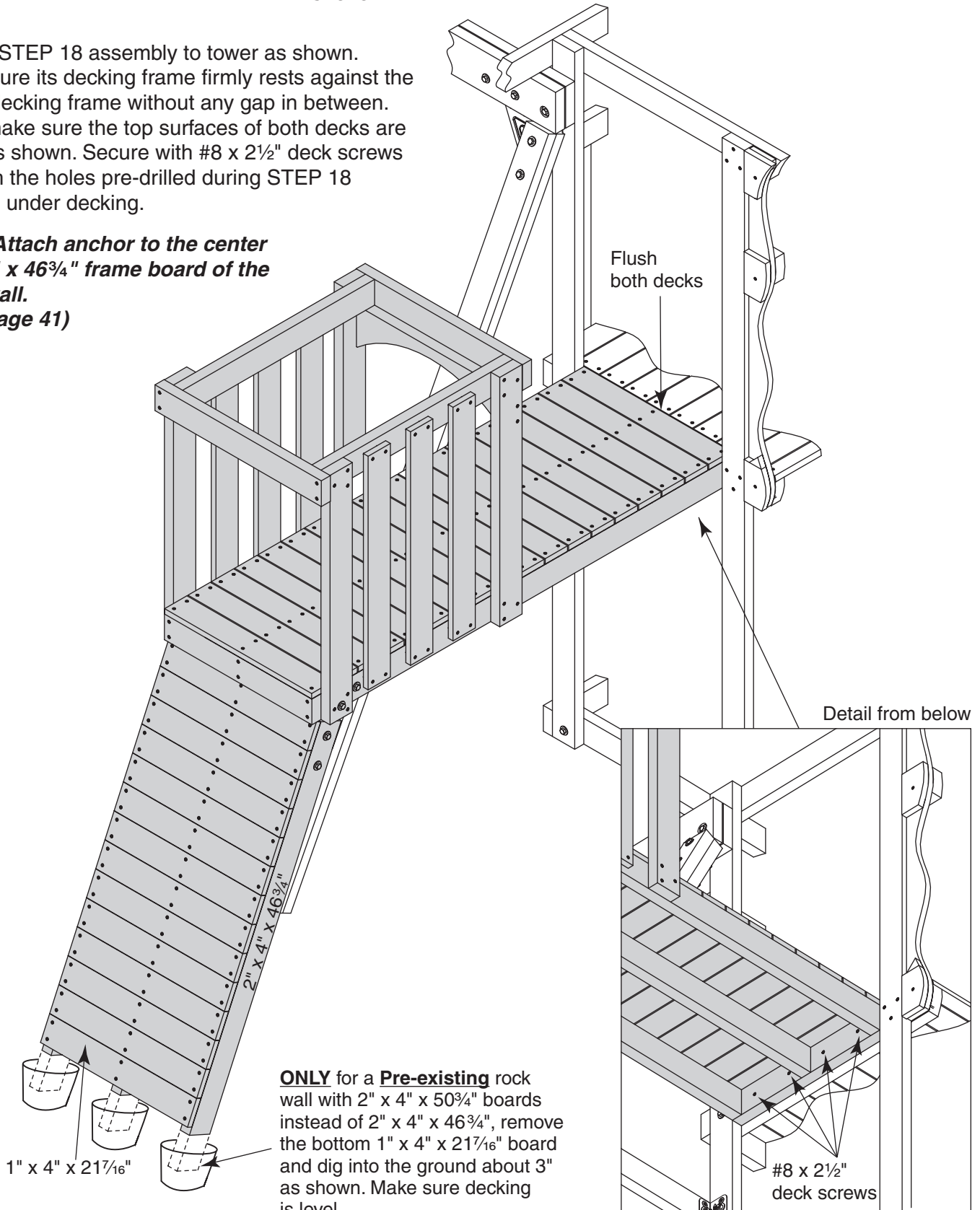
- (1) STEP 18 assembly
- (4) #8 x 2½" deck screws
- (1) Anchor

Bring the Bridge-Tunnel to its final position as shown.

**Note: ONLY FOR a PRE-EXISTING rock wall with 2" x 4" x 50¾" instead of 2" x 4" x 46¾" frame boards; remove the bottom 1" x 4" x 21⅞" board, dig into the ground about 3" under the rock wall's footing as shown. Make sure the bridge-tunnel decking is level.**

Attach STEP 18 assembly to tower as shown. Make sure its decking frame firmly rests against the tower decking frame without any gap in between. Also, make sure the top surfaces of both decks are flush as shown. Secure with #8 x 2½" deck screws through the holes pre-drilled during STEP 18 located under decking.

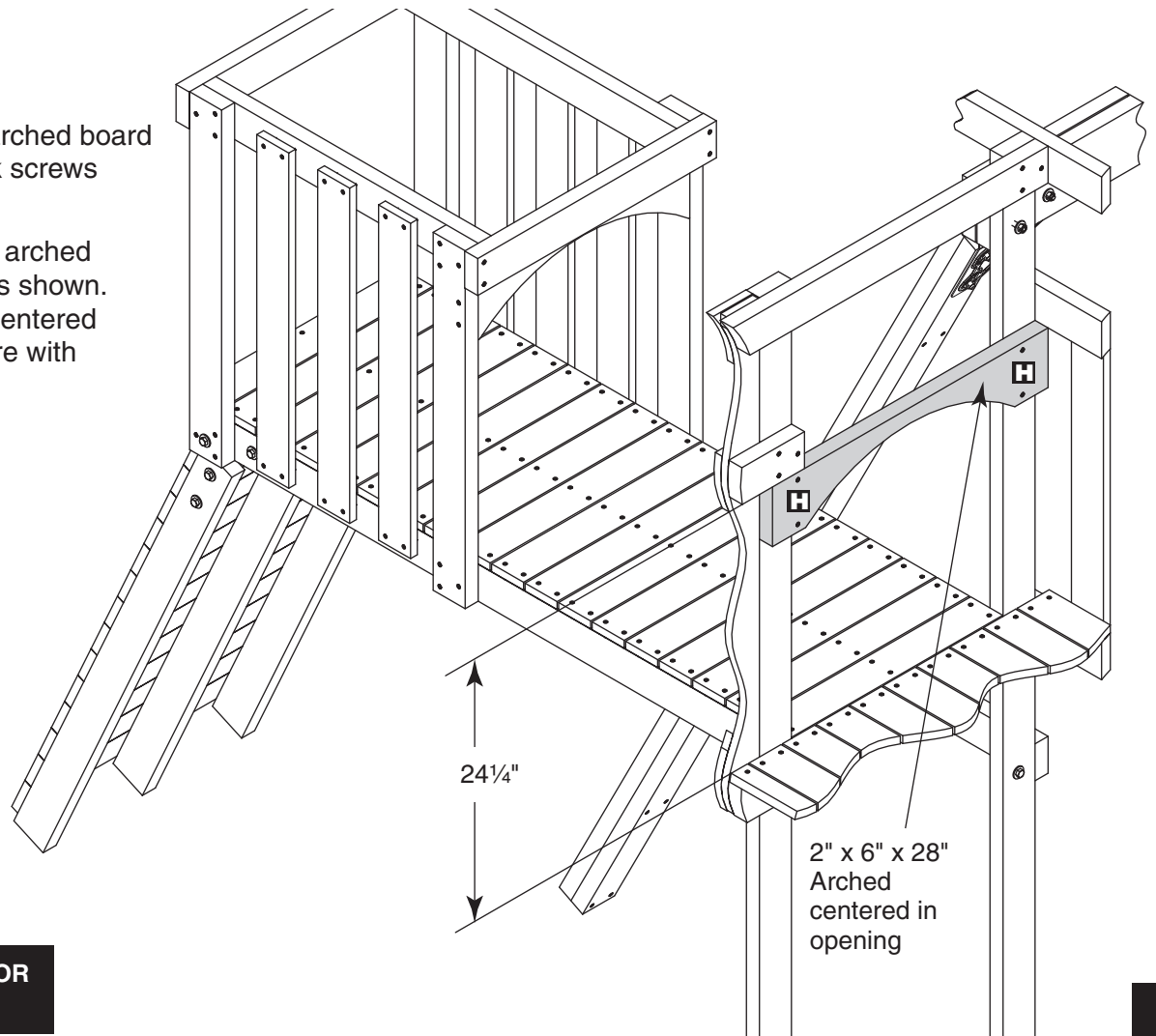
**Note: Attach anchor to the center 2" x 4" x 46¾" frame board of the rock wall.**  
(See page 41)



**Items for STEP 21:**

- (1) 2" x 6" x 28" arched board
- (4) #8 x 2½" deck screws

Attach the 2" x 6" x 28" arched board at the dimensions shown. Make sure the arch is centered with the opening. Secure with #8 x 2½" deck screws.

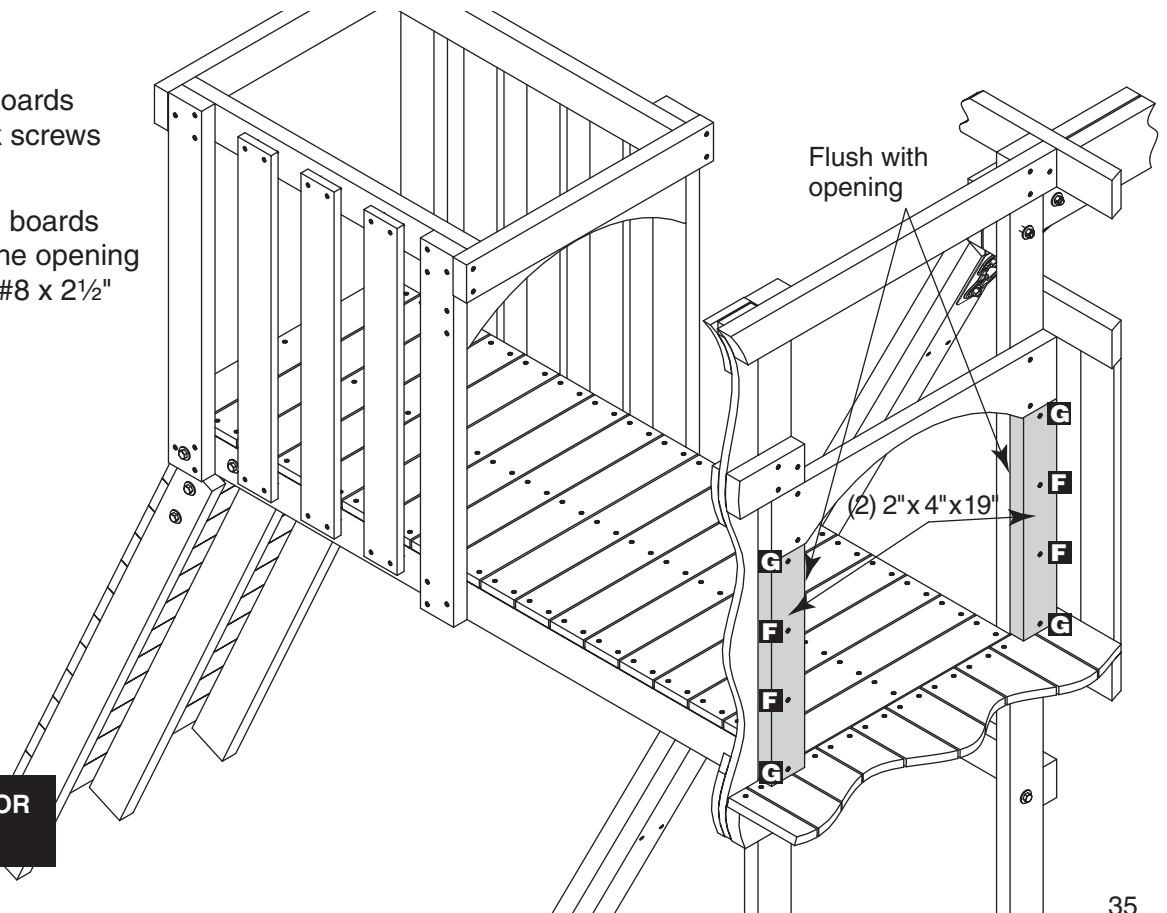


SEE PAGES 6 AND 7 FOR  
HOLE PATTERNS

**Items for STEP 22:**

- (2) 2" x 4" x 19" boards
- (8) #8 x 2½" deck screws

Attach two 2" x 4" x 19" boards flush with the sides of the opening as shown. Secure with #8 x 2½" deck screws.



SEE PAGES 6 AND 7 FOR  
HOLE PATTERNS

READY-TO-ASSEMBLE

**Items for STEP 23:**

- (1) Tunnel
- (36) #8 x 5/8" truss head screws

Position the tunnel into the bridge opening as shown.

Make sure the tunnel is fully inserted and the flanges are firmly resting against the lumber and the ends are flush with the sides of the lumber as shown.

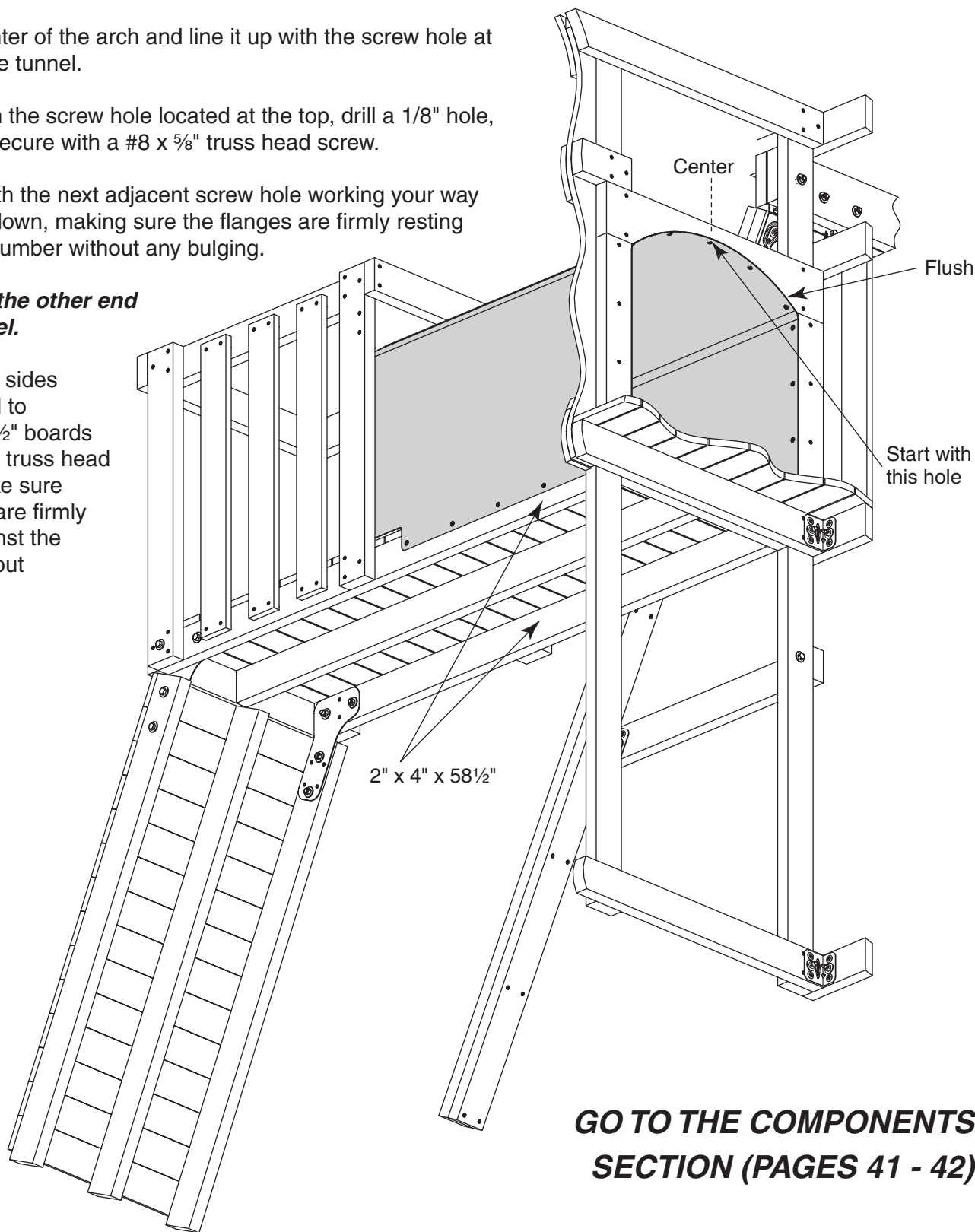
Find the center of the arch and line it up with the screw hole at the top of the tunnel.

Starting with the screw hole located at the top, drill a 1/8" hole, 1/8" deep. Secure with a #8 x 5/8" truss head screw.

Continue with the next adjacent screw hole working your way all the way down, making sure the flanges are firmly resting against the lumber without any bulging.

**Repeat for the other end of the tunnel.**

Secure both sides of the tunnel to 2" x 4" x 58 1/2" boards with #8 x 5/8" truss head screws. Make sure the flanges are firmly resting against the lumber without any bulging.



**GO TO THE COMPONENTS SECTION (PAGES 41 - 42)**

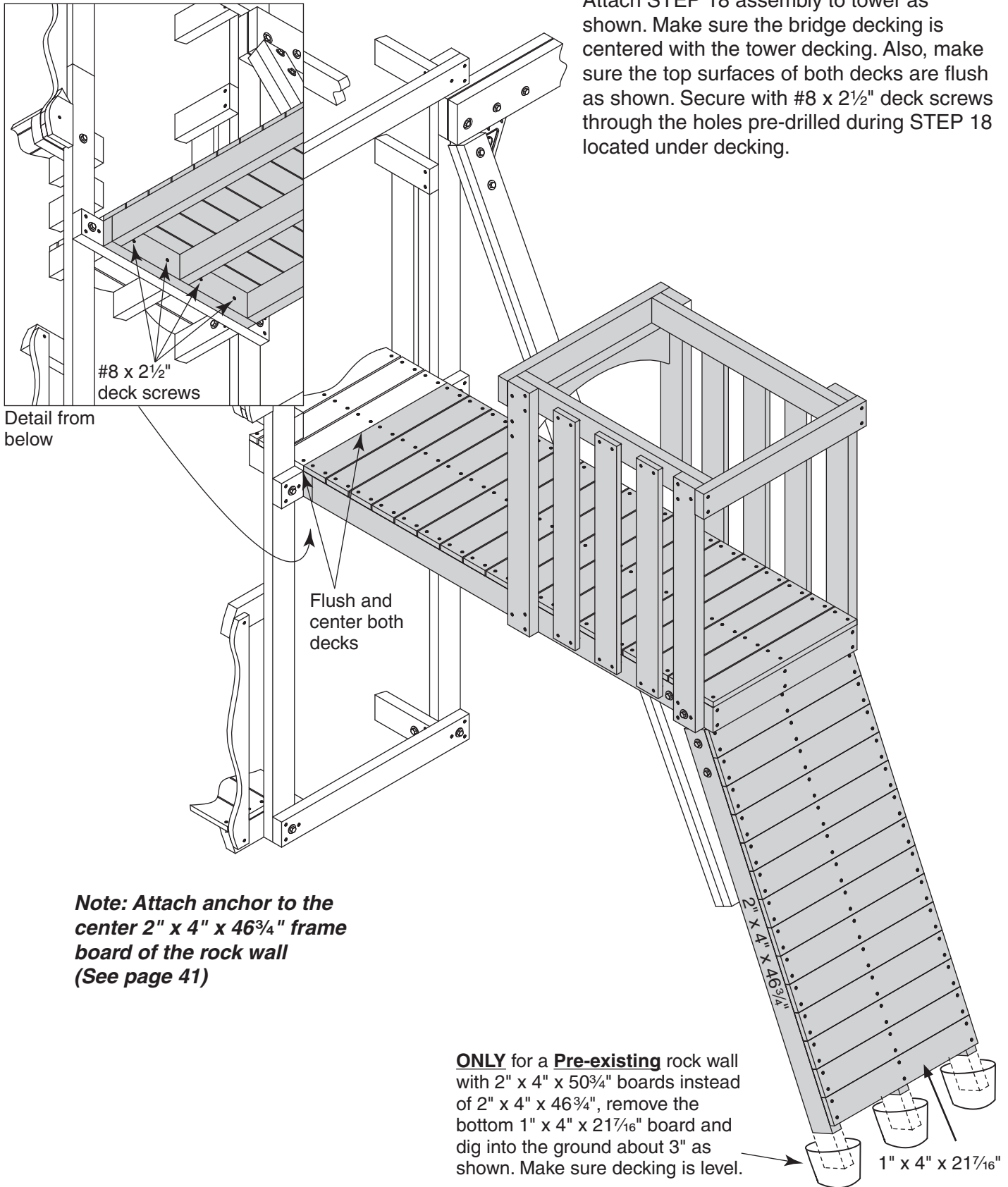


**Items for STEP 24:**

- (1) STEP 18 assembly
- (4) #8 x 2½" deck screws
- (1) Anchor

Bring the Bridge-Tunnel to its final position as shown.

**Note: ONLY FOR a PRE-EXISTING rock wall with 2" x 4" x 50¾" instead of 2" x 4" x 46¾" frame boards; remove the bottom 1" x 4" x 21⅞" board, dig into the ground about 3" under the rock wall's footing as shown. Make sure the bridge-tunnel decking is level.**



Attach STEP 18 assembly to tower as shown. Make sure the bridge decking is centered with the tower decking. Also, make sure the top surfaces of both decks are flush as shown. Secure with #8 x 2½" deck screws through the holes pre-drilled during STEP 18 located under decking.

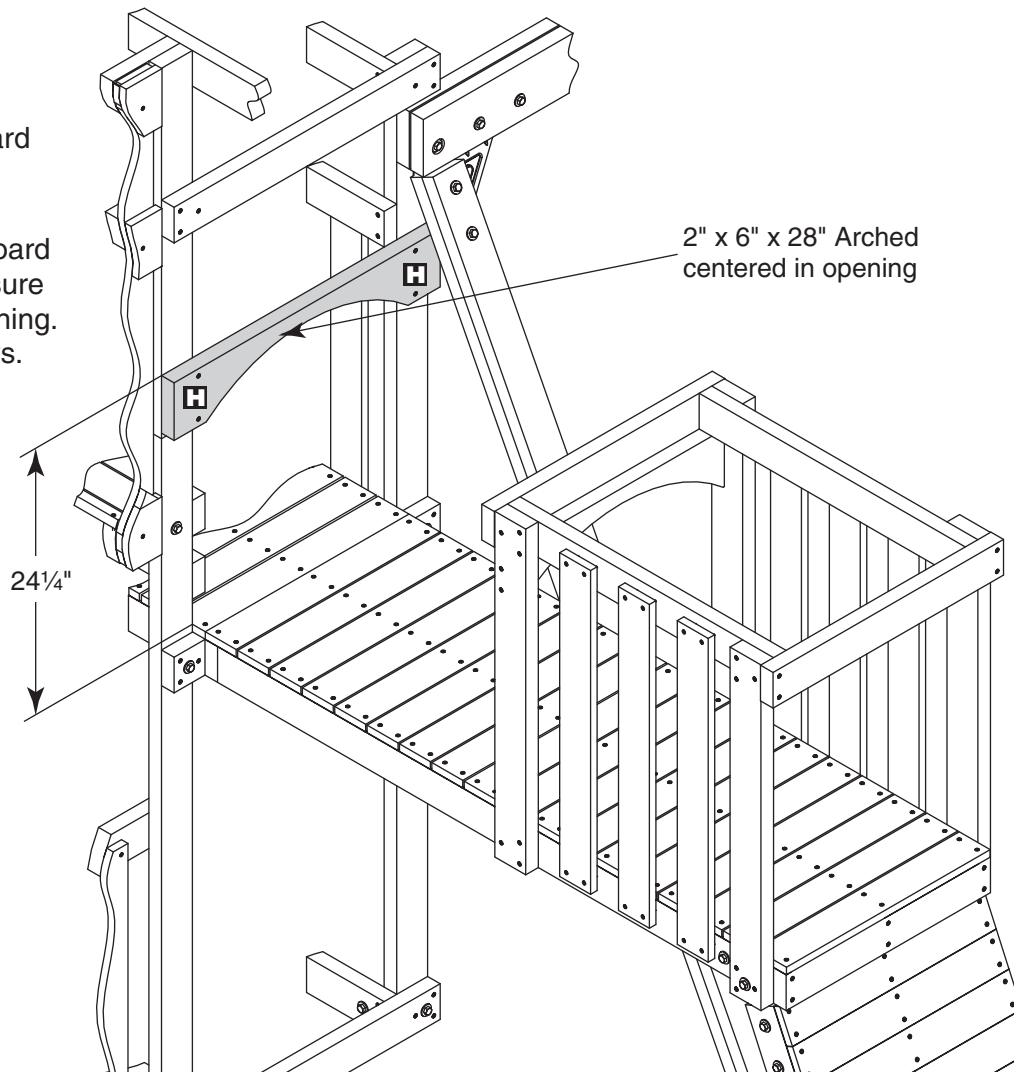
**Note: Attach anchor to the center 2" x 4" x 46¾" frame board of the rock wall (See page 41)**

**ONLY** for a **Pre-existing** rock wall with 2" x 4" x 50¾" boards instead of 2" x 4" x 46¾", remove the bottom 1" x 4" x 21⅞" board and dig into the ground about 3" as shown. Make sure decking is level.

### Items for STEP 25:

- (1) 2" x 6" x 28" arched board
- (4) #8 x 2½" deck screws

Attach the 2" x 6" x 28" arched board at the dimensions shown. Make sure the arch is centered with the opening. Secure with #8 x 2½" deck screws.



SEE PAGES 6 AND 7 FOR HOLE PATTERNS

### Items for STEP 26:

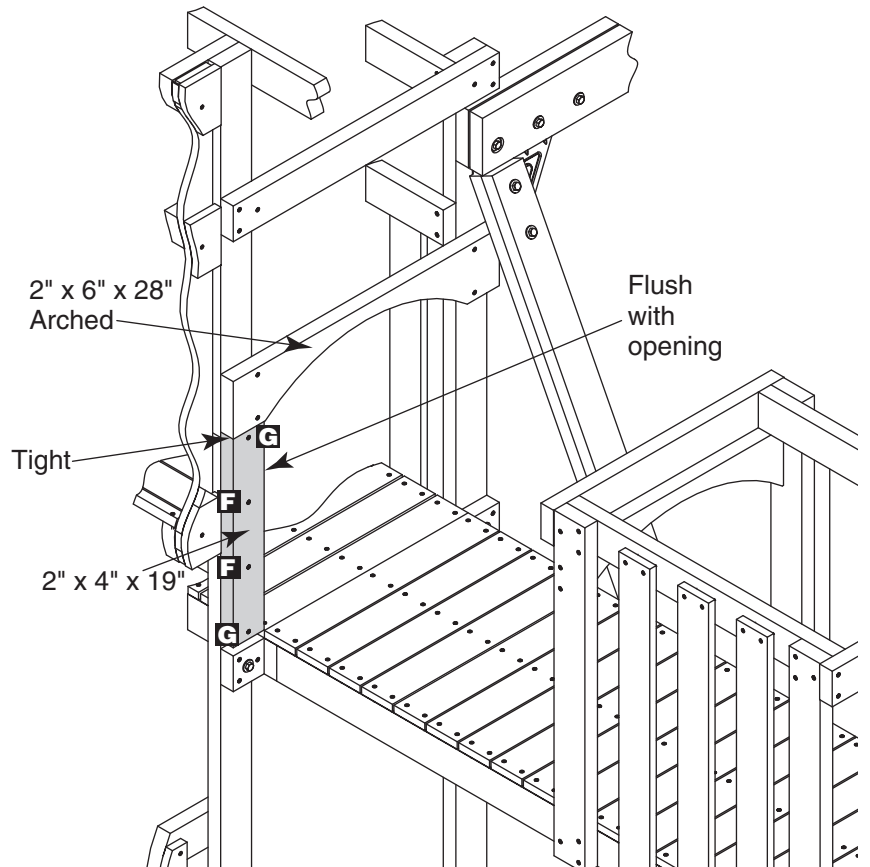
- (1) 2" x 4" x 19" board
- (4) #8 x 2½" deck screws

**Note:** If a bolt head is interfering with the board you are attaching, hold the board in its position and tap on it so the bolt head marks the back of the board. Remove the board and counter-bore at the mark. Attach the board as indicated.

**Note:** If any lumber is preventing the 2" x 4" x 19" referred to on this step from resting directly against the opening post, it may be necessary to trim it.

Attach one 2" x 4" x 19" board tight against the 2" x 6" x 28" arched and flush with the side of the opening as shown. Secure with #8 x 2½" deck screws.

SEE PAGES 6 AND 7 FOR HOLE PATTERNS

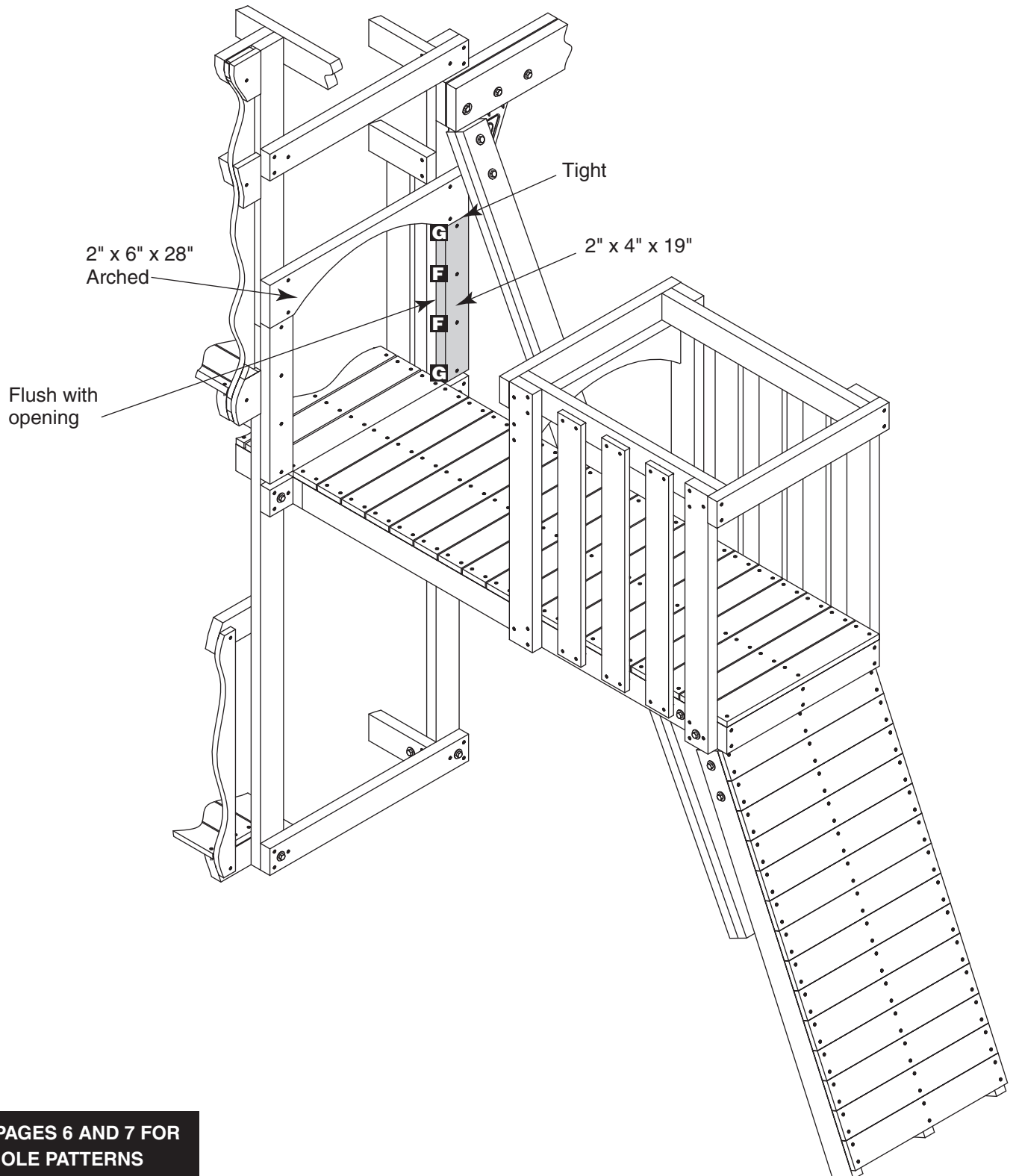


READY-TO-ASSEMBLE

**Items for STEP 27:**

- (1) 2" x 4" x 19" board
- (4) #8 X 2½" deck screws

Attach one 2" x 4" x 19" board tight with the 2" x 6" x 28" arched and flush with the side of the opening as shown. Secure with #8 X 2½" deck screws.



**SEE PAGES 6 AND 7 FOR  
HOLE PATTERNS**

**READY-TO-ASSEMBLE**

**Items for STEP 28:**

- (1) Tunnel
- (36) #8 x 3/4" truss head screws

Position the tunnel into the bridge opening as shown.

Make sure the tunnel is fully inserted and the flanges are firmly resting against the lumber and the ends are flush with the sides of the lumber as shown.

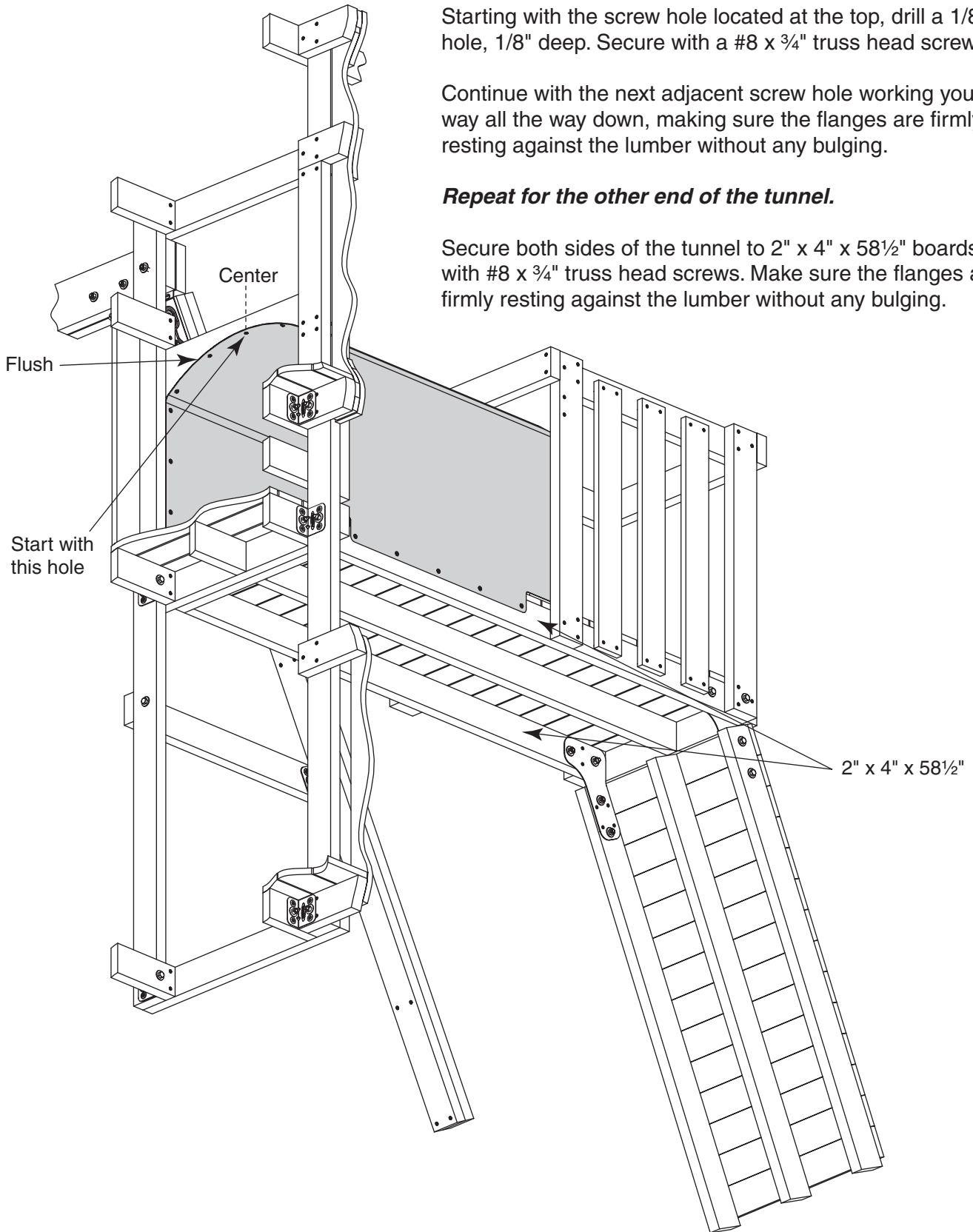
Find the center of the arch and line it up with the screw hole at the top of the tunnel.

Starting with the screw hole located at the top, drill a 1/8" hole, 1/8" deep. Secure with a #8 x 3/4" truss head screw.

Continue with the next adjacent screw hole working your way all the way down, making sure the flanges are firmly resting against the lumber without any bulging.

***Repeat for the other end of the tunnel.***

Secure both sides of the tunnel to 2" x 4" x 58 1/2" boards with #8 x 3/4" truss head screws. Make sure the flanges are firmly resting against the lumber without any bulging.



# COMPONENTS – Mounting Instructions

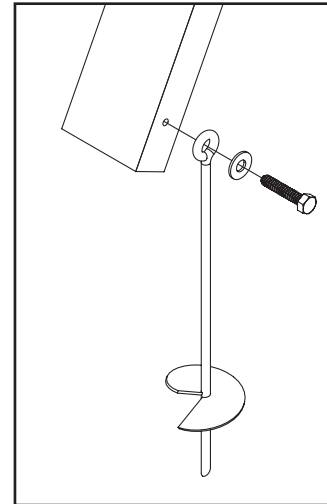
**Refer to your original PlayStar Slide or Climber instructions for complete installation details.**

## ANCHORS

At the base of the tunnel, screw Playset Anchors into ground by hand (a long screwdriver will help).

Use the anchor as a drill guide and drill a  $\frac{1}{4}$ " hole 1" deep into the board. Attach with  $\frac{3}{8}$ " x 2" lag screw and  $\frac{3}{8}$ " washer (provided with Playset Anchor PS 7690).

**If soil conditions permit anchors to be pulled out easily, such as in sandy soil conditions, cementing is required. If your ground is too hard to screw in the anchors you can remove the earth with a shovel. Install the anchors and compact the earth as you replace it. Anchors must be placed below the level of the shock-absorbing surfacing material to prevent tripping or injury resulting from a fall.**



## CLIMBING ROPE

1. Tie five knots, equally spaced, for climbing grips. **(Fig. 1)**
2. Insert rope through top hole and tie a knot with 4" remaining.
3. Insert opposite end through bottom hole, pull tight and tie a knot while keeping rope snug.
4. Secure both ends with staples provided (2 each end). **(Fig. 2)**

front view

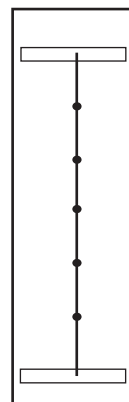


Fig. 1

back view

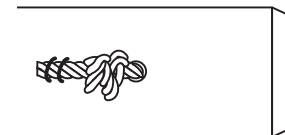
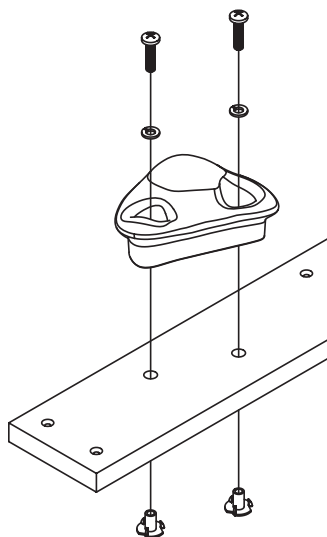


Fig. 2

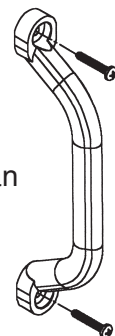
## CLIMBING ROCKS for RTA

1. Position rocks at desired location.
2. Mark pilot holes.
3. Drill  $\frac{3}{8}$ " holes completely through boards.
4. Hammer in T-nuts from back side.
5. Secure with two  $\frac{1}{4}$ " x 1" machine screws and  $\frac{1}{4}$ " split lock washers provided.



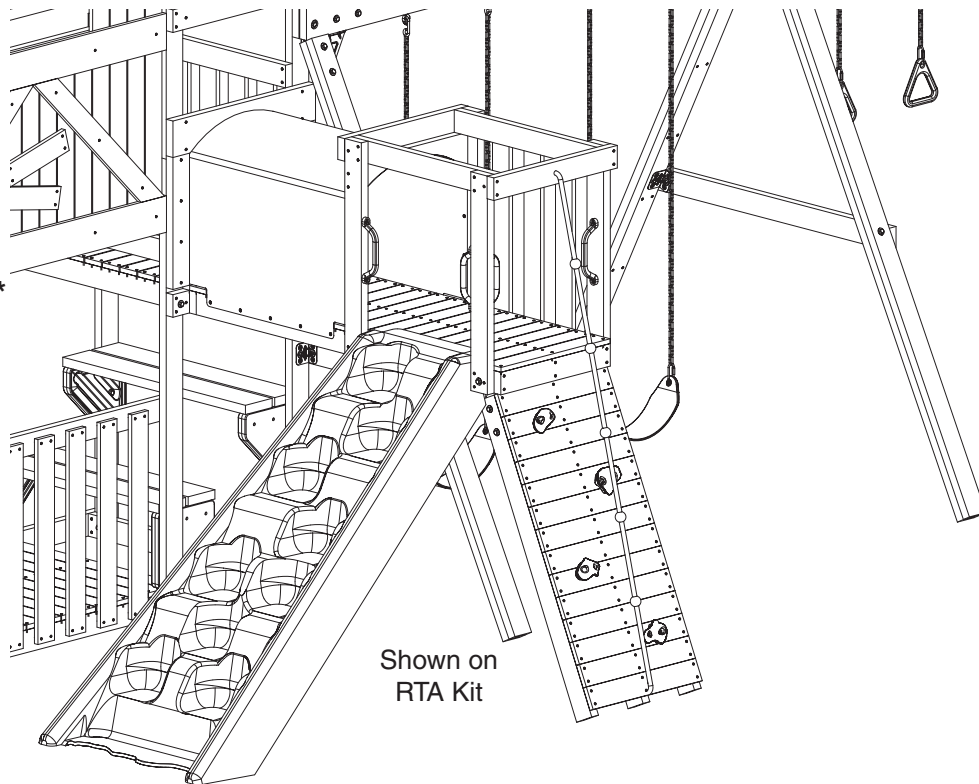
## PLAY HANDLES

1. Position Play Handle at desired location.
2. Mark pilot holes.
3. Drill  $\frac{1}{8}$ " holes 1" deep.
4. Secure with #14 x  $\frac{1}{4}$ " pan head screws provided.



## ACTIVITY OPTION - LEFT

1. Remove three 1" x 4" x 29¼" boards from the left side of the tunnel exit.
2. Add any of these accessories
  - Climbing Wall (PS 8850)\*
  - Climbing Steps (8860)\*\*
  - Slides (PS 8813 and PS 8814)\*
  - Play Handles (PS 7668)
3. Refer to Compatibility Chart on page 8.

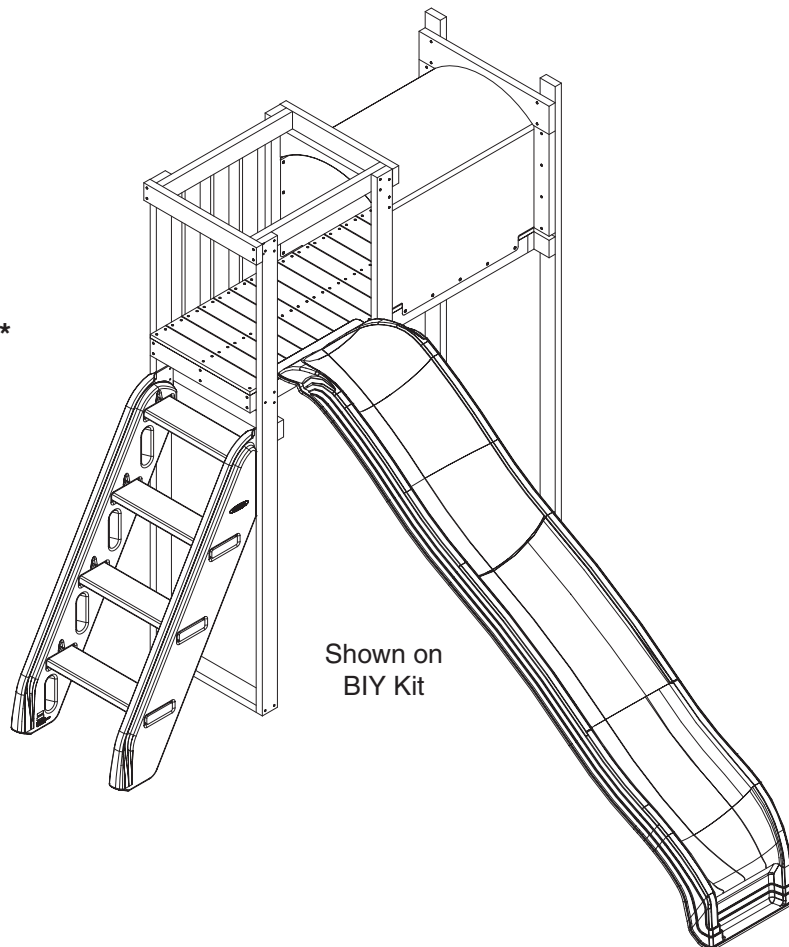


\*fits on 48" Deck Height

\*\*fits on 48" or 60" Deck Height

## ACTIVITY OPTION - RIGHT

1. Remove three 1" x 4" x 29¼" boards from the right side of the tunnel exit.
2. Add any of these accessories
  - Climbing Wall (PS 8850)\*
  - Climbing Steps (8860)\*\*
  - Slides (PS 8813 and PS 8814)\*
  - Play Handles (PS 7668)
3. Refer to Compatibility Chart on page 9.



\*fits on 48" Deck Height

\*\*fits on 48" or 60" Deck Height



## TRAINER - GOLD

### Items for Climbing Step Replacement:

**Additional Materials Required (Purchase Separately) – 5/4" x 6" x 8' – One board required**

- (2) 5/4" x 6" x 36 3/4" boards (cut from lumber listed above)
- (3) 5/4" x 6" x 9" boards (cut from removed panels)
- (20) #8 x 2 1/2" deck screws (reused from removed boards & panels)

### Climbing Step Replacement:

Before tunnel installation, first remove two 5/4" x 6" x 22" vertical panels from the front (not shown).

Then remove these two (highlighted) boards.

Attach two longer 5/4" x 6" x 36 3/4" vertical panels (using #8 x 2 1/2" deck screws) to replace removed ones.

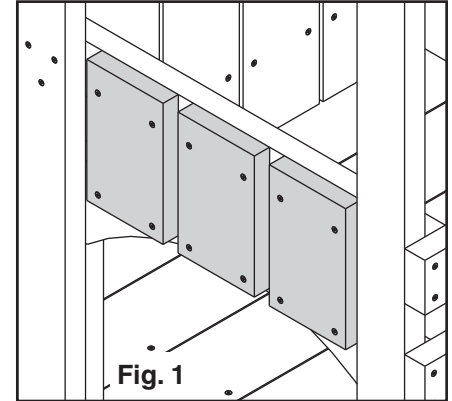
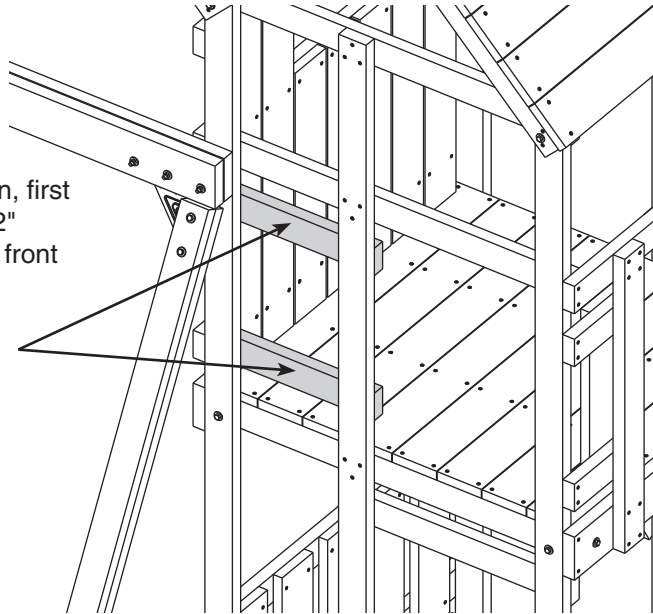


Fig. 1

Attach three 5/4" x 6" x 9" vertical panels (using #8 x 2 1/2" deck screws) to cover the gap between the top railing and the 2" x 6" x 28" arched board. **Fig. 1**

**Caution: Gap between boards must not exceed 3 1/2" or a head entrapment could exist.**

## TRAINER - SILVER

### Items for Slide Replacement:

**Additional Materials Required (Purchase Separately) – 5/4" x 6" x 8' – One board required**

- (2) 5/4" x 6" x 36 3/4" boards (cut from lumber listed above)
- (3) 5/4" x 6" x 9" boards (cut from removed panels)
- (20) #8 x 2 1/2" deck screws (reused from removed boards & panels)

### Slide Replacement:

Before tunnel installation, first remove two 5/4" x 6" x 22" vertical panels from the front (not shown).

Then remove these two (highlighted) boards.

Attach two longer 5/4" x 6" x 36 3/4" vertical panels (using #8 x 2 1/2" deck screws) to replace removed ones.

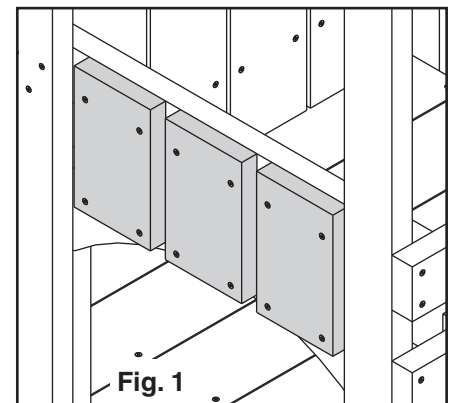
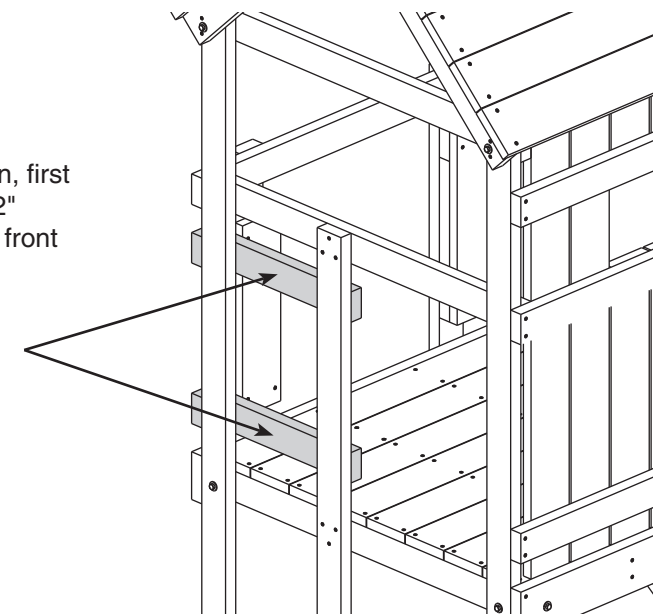


Fig. 1

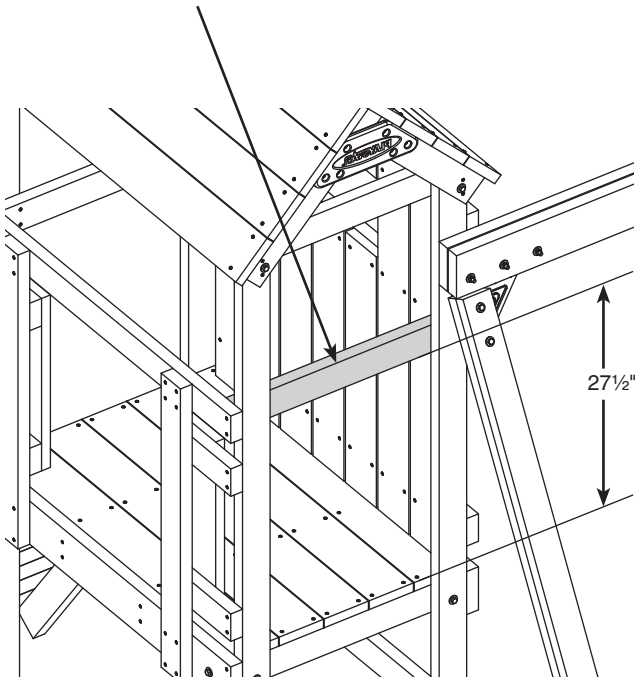
Attach three 5/4" x 6" x 9" vertical panels (using #8 x 2 1/2" deck screws) to cover the gap between the top railing and the 2" x 6" x 28" arched board. **Fig. 1**

**Caution: Gap between boards must not exceed 3 1/2" or a head entrapment could exist.**

## RIDGELINE - BRONZE

### Vertical Climber Replacement:

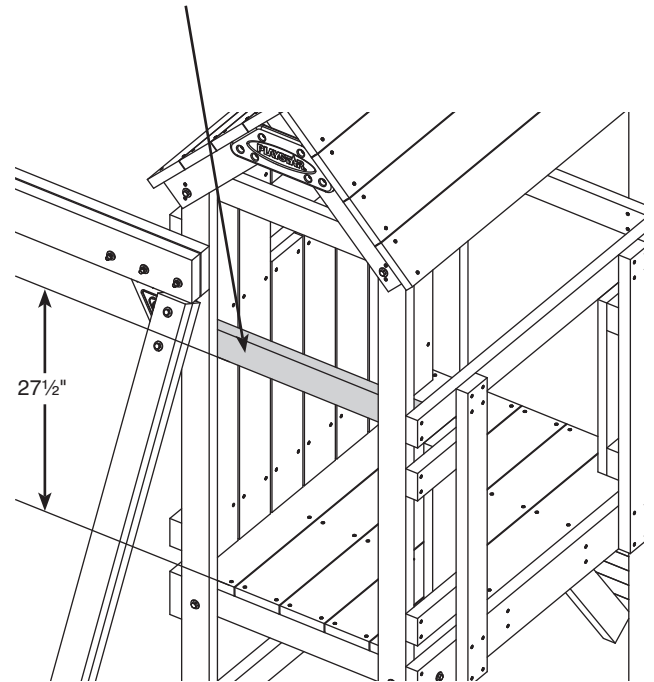
Before tunnel installation, relocate this board down so bottom edge is 27½" above deck surface.



## TRAINER - BRONZE & STARTER

### Vertical Climber Replacement:

Before tunnel installation, relocate this board down so bottom edge is 27½" above deck surface.



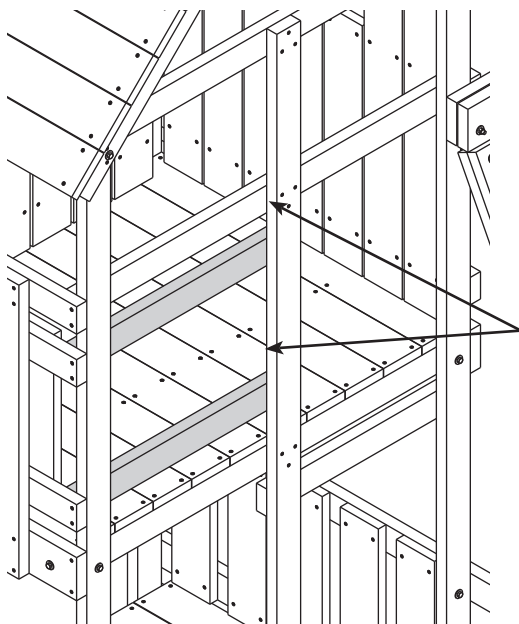
BUILD-IT-YOURSELF MODIFICATIONS

## CONTENDER - GOLD

### Items for Climbing Step Replacement:

#### Additional Materials Required (Purchase Separately) – 5/4" x 6" x 10' – One board required

- (3) 5/4" x 6" x 36¾" boards (cut from lumber listed above)
- (3) 5/4" x 6" x 9" boards (cut from removed panels)
- (24) #8 x 2½" deck screws (reused from removed boards & panels)

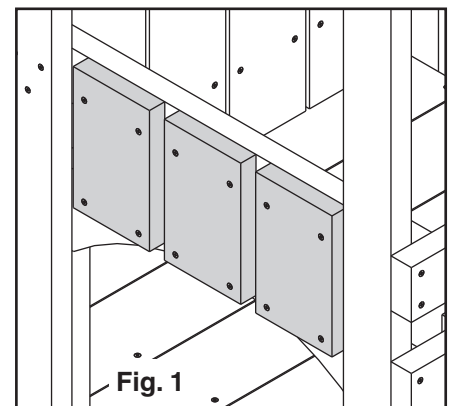


### Climbing Step Replacement:

Before tunnel installation, first remove three 5/4" x 6" x 22" vertical panels from the front (not shown).

Then remove these two (highlighted) boards.

Attach three longer 5/4" x 6" x 36¾" vertical panels (using #8 x 2½" deck screws) to replace removed ones.



Attach three 5/4" x 6" x 9" vertical panels (using #8 x 2½" deck screws) to cover the gap between the top railing and the 2" x 6" x 28" arched board. **Fig. 1**

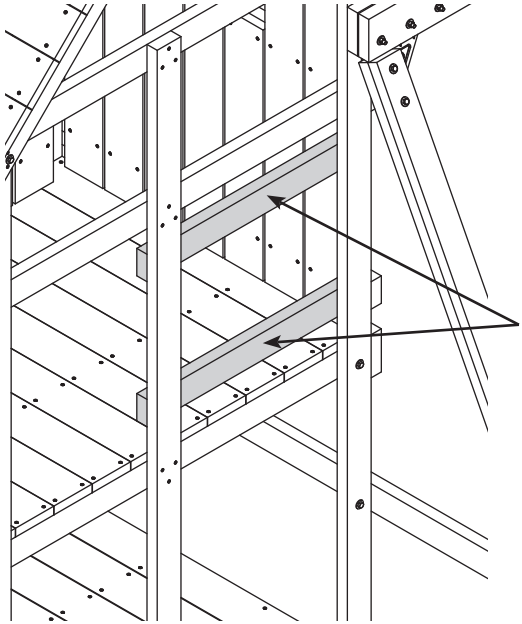
**Caution: Gap between boards must not exceed 3½" or a head entrapment could exist.**

## CONTENDER - SILVER

### Items for Climbing Wall Replacement:

#### Additional Materials Required (Purchase Separately) – 5/4" x 6" x 10' – One board required

- (3) 5/4" x 6" x 36 3/4" boards (cut from lumber listed above)
- (3) 5/4" x 6" x 9" boards (cut from removed panels)
- (24) #8 x 2 1/2" deck screws (reused from removed boards & panels)

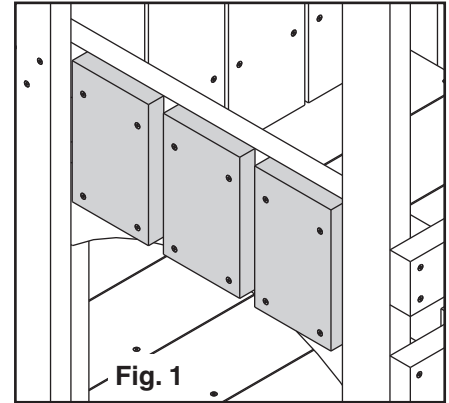


#### Climbing Wall Replacement:

Before tunnel installation, first remove three 5/4" x 6" x 22" vertical panels from the front (not shown).

Then remove these two (highlighted) boards.

Attach three longer 5/4" x 6" x 36 3/4" vertical panels (using #8 x 2 1/2" deck screws) to replace removed ones.



Attach three 5/4" x 6" x 9" vertical panels (using #8 x 2 1/2" deck screws) to cover the gap between the top railing and the 2" x 6" x 28" arched board. **Fig. 1**

**Caution: Gap between boards must not exceed 3 1/2" or a head entrapment could exist.**

## RIDGELINE - SILVER — CONTENDER - BRONZE & STARTER

### Items for Slide Replacement:

#### Additional Materials Required (Purchase Separately) – 5/4" x 6" x 10' – One board required

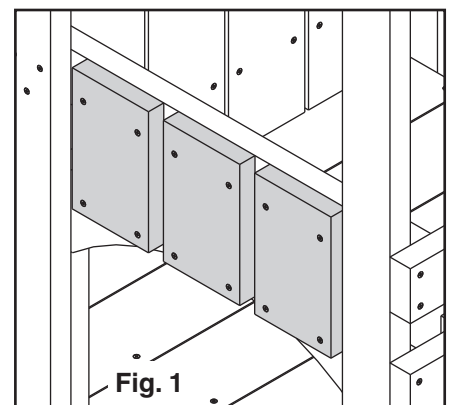
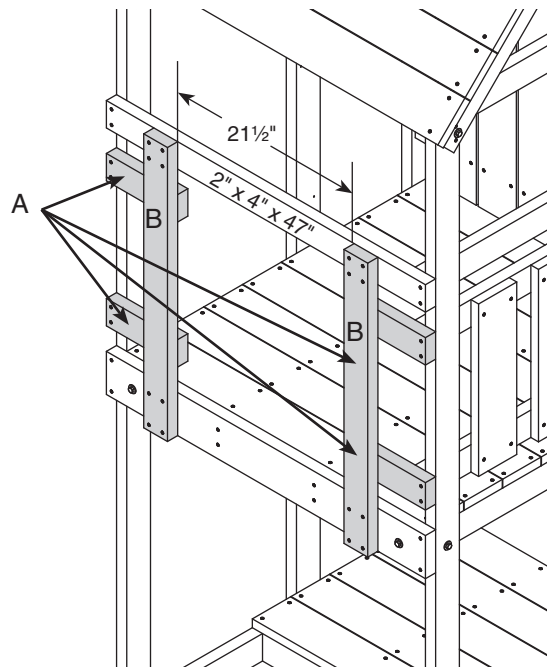
- (2) 5/4" x 6" x 36 3/4" boards (cut from lumber listed above)
- (3) 5/4" x 6" x 9" boards (cut from lumber listed above)
- (20) #8 x 2 1/2" deck screws (reused from removed boards & panels)

#### Slide Replacement:

Before tunnel installation, first remove two 5/4" x 6" x 22" vertical panels from the back-side (not shown). Then remove four boards marked "A".

Then relocate boards marked "B" so they are 21 1/2" apart as shown.

Attach three 5/4" x 6" x 36 3/4" vertical panels (using #8 x 2 1/2" deck screws) on frontside so that tops are flush with the top of 2" x 4" x 47" board.



Attach three 5/4" x 6" x 9" vertical panels (using #8 x 2 1/2" deck screws) to cover the gap between the top railing and the 2" x 6" x 28" arched board. **Fig. 1**

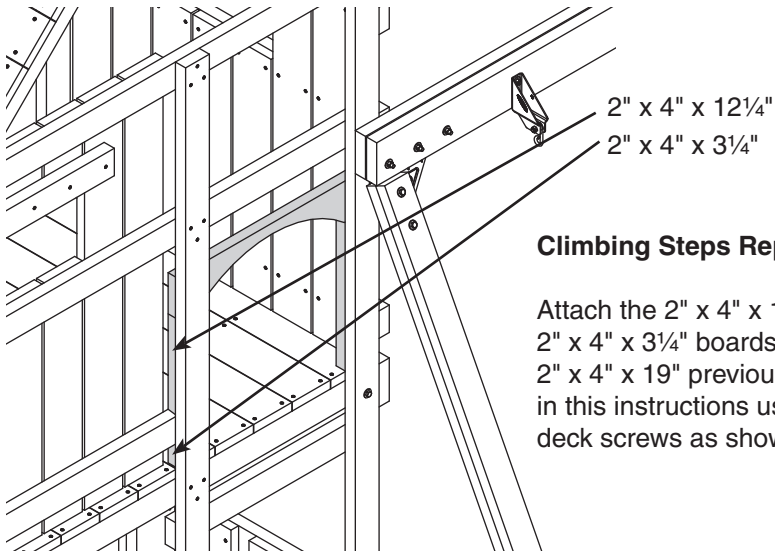
**Caution: Gap between boards must not exceed 3 1/2" or a head entrapment could exist.**

## RIDGELINE - GOLD — LEGACY - GOLD

### Items for Climbing Steps Replacement:

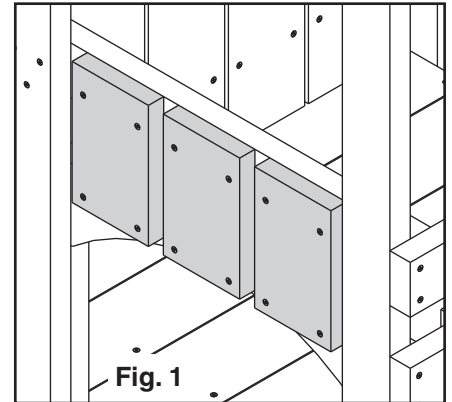
**Additional Materials Required (Purchase Separately) – 5/4" x 6" x 8' – One board required**  
– (12) #8 x 2-1/2" deck screws

- (1) 2" x 4" x 12 1/4" board (cut from 2" x 4" x 19" supplied with Tunnel Kit)
- (1) 2" x 4" x 3 1/4" board (cut from 2" x 4" x 19" supplied with Tunnel Kit)
- (3) 5/4" x 6" x 9" boards (cut from lumber listed above)
- (12) #8 x 2 1/2" deck screws (listed above)



### Climbing Steps Replacement:

Attach the 2" x 4" x 12 1/4" and the 2" x 4" x 3 1/4" boards in lieu of the 2" x 4" x 19" previously referenced in this instructions using #8 x 2 1/2" deck screws as shown.



Attach three 5/4" x 6" x 9" vertical panels (using #8 x 2 1/2" deck screws) to cover the gap between the top railing and the 2" x 6" x 28" arched board. **Fig. 1**

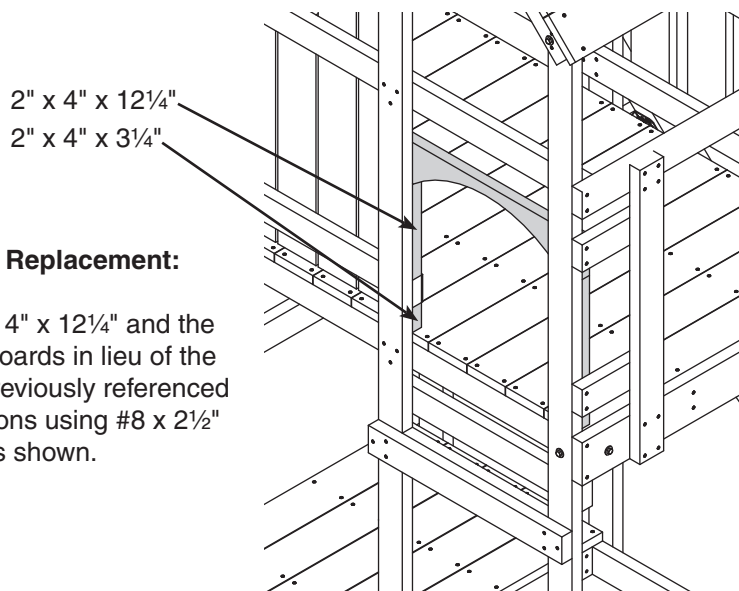
**Caution: Gap between boards must not exceed 3 1/2" or a head entrapment could exist.**

## LEGACY - SILVER

### Items for Climbing Wall Replacement:

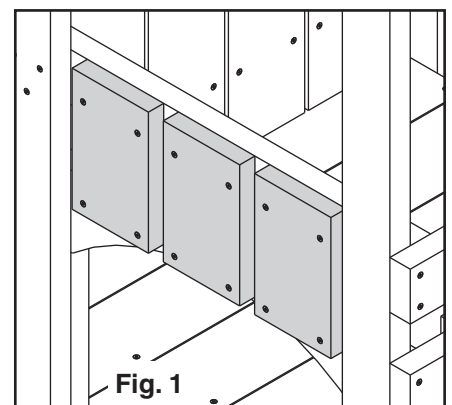
**Additional Materials Required (Purchase Separately) – 5/4" x 6" x 8' – One board required**  
– (12) #8 x 2-1/2" deck screws

- (1) 2" x 4" x 12 1/4" board (cut from 2" x 4" x 19" supplied with Tunnel Kit)
- (1) 2" x 4" x 3 1/4" board (cut from 2" x 4" x 19" supplied with Tunnel Kit)
- (3) 5/4" x 6" x 9" boards (cut from lumber listed above)
- (12) #8 x 2 1/2" deck screws (listed above)



### Climbing Wall Replacement:

Attach the 2" x 4" x 12 1/4" and the 2" x 4" x 3 1/4" boards in lieu of the 2" x 4" x 19" previously referenced in this instructions using #8 x 2 1/2" deck screws as shown.



Attach three 5/4" x 6" x 9" vertical panels (using #8 x 2 1/2" deck screws) to cover the gap between the top railing and the 2" x 6" x 28" arched board. **Fig. 1**

**Caution: Gap between boards must not exceed 3 1/2" or a head entrapment could exist.**

## LEGACY - BRONZE

### Items for Climbing Step Replacement:

#### Additional Materials Required (Purchase Separately) – 5/4" x 6" x 10' – One board required

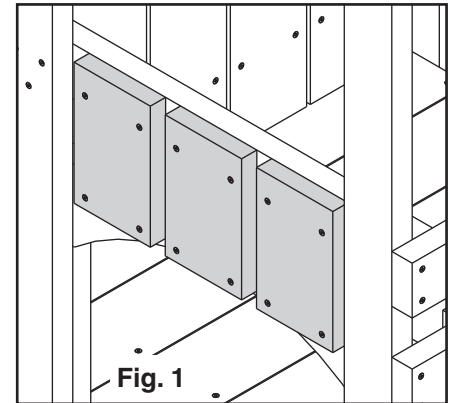
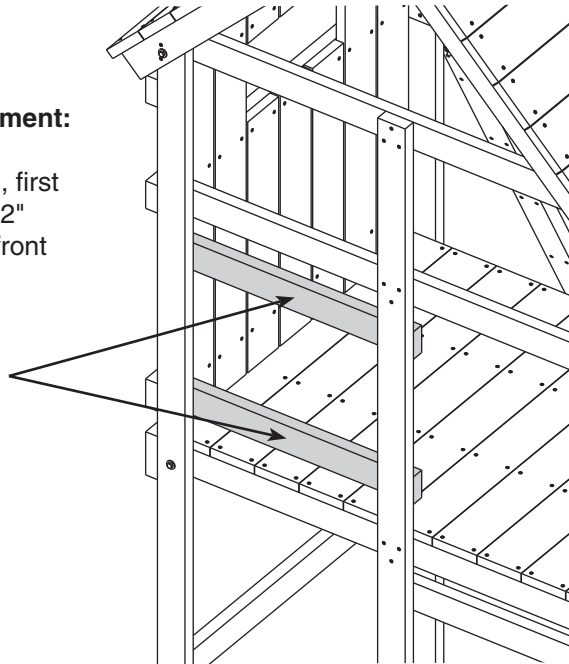
- (3) 5/4" x 6" x 36 3/4" boards (cut from lumber listed above)
- (3) 5/4" x 6" x 9" boards (cut from removed panels)
- (24) #8 x 2 1/2" deck screws (reused from removed boards & panels)

### Climbing Step Replacement:

Before tunnel installation, first remove three 5/4" x 6" x 22" vertical panels from the front (not shown).

Then remove these two (highlighted) boards.

Attach three longer 5/4" x 6" x 36 3/4" vertical panels (using #8 x 2 1/2" deck screws) to replace removed ones.



Attach three 5/4" x 6" x 9" vertical panels (using #8 x 2 1/2" deck screws) to cover the gap between the top railing and the 2" x 6" x 28" arched board. **Fig. 1**

**Caution: Gap between boards must not exceed 3 1/2" or a head entrapment could exist.**

## LEGACY - STARTER

### Items for Vertical Climber Replacement:

#### Additional Materials Required (Purchase Separately) – 5/4" x 6" x 10' – One board required

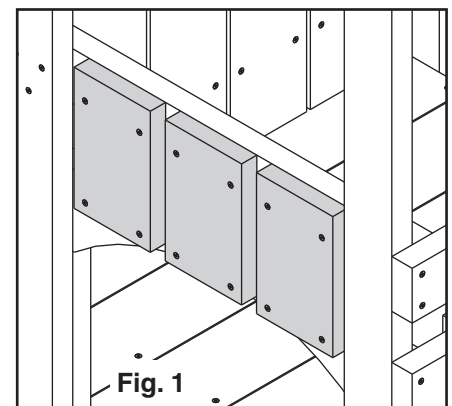
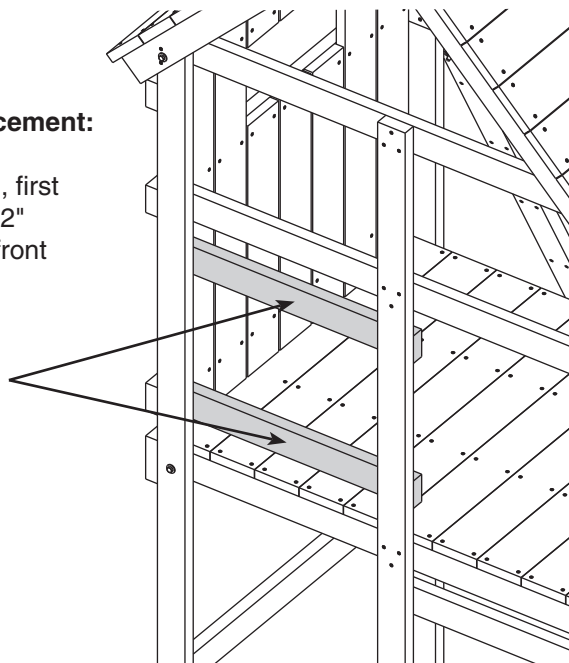
- (3) 5/4" x 6" x 36 3/4" boards (cut from lumber listed above)
- (3) 5/4" x 6" x 9" boards (cut from removed panels)
- (24) #8 x 2 1/2" deck screws (reused from removed boards & panels)

### Vertical Climber Replacement:

Before tunnel installation, first remove three 5/4" x 6" x 22" vertical panels from the front (not shown).

Then remove these two (highlighted) boards.

Attach three longer 5/4" x 6" x 36 3/4" vertical panels (using #8 x 2 1/2" deck screws) to replace removed ones.



Attach three 5/4" x 6" x 9" vertical panels (using #8 x 2 1/2" deck screws) to cover the gap between the top railing and the 2" x 6" x 28" arched board. **Fig. 1**

**Caution: Gap between boards must not exceed 3 1/2" or a head entrapment could exist.**



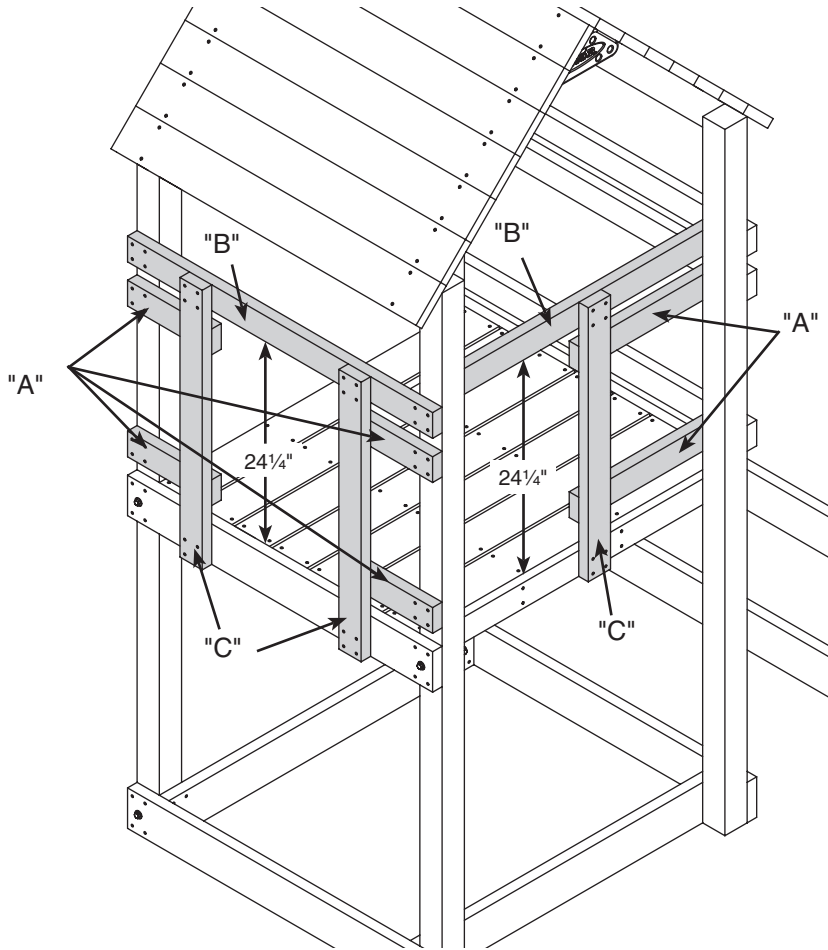
## **SUPER STAR - GOLD**

### **Items for Scoop Wave Slide Replacement:**

**Additional Materials Required (Purchase Separately) – 5/4" x 6" x 8' – One board required**

(2) 5/4" x 6" x 32 1/2" boards (cut from lumber listed above)

(8) #8 x 2 1/2" deck screws (reused from removed panels)



### **Scoop Wave Slide Replacement:**

Before tunnel installation, first remove two 5/4" x 6" x 24" vertical panels from front (not shown). Then remove two boards marked "A".

Then relocate board marked "B" down so bottom edge is 24 1/4" above deck surface.

Then cut vertical board marked "C" down to 32 1/2" so it is flush with top of relocated board "B".

Finally, add two 5/4" x 6" x 32 1/2" vertical panels (using #8 x 2 1/2" deck screws) on front so that tops are flush with the top of board "B".

***Caution: Gap between boards must not exceed 3 1/2" or a head entrapment could exist.***

### **Items for Climbing Wall Replacement:**

**Additional Materials Required (Purchase Separately) – 5/4" x 6" x 8' – One board required**

(2) 5/4" x 6" x 33 1/4" boards (cut from lumber listed above)

(8) #8 x 2 1/2" deck screws (reused from removed panels)

### **Climbing Wall Replacement:**

Before tunnel installation, first remove two 5/4" x 6" x 24" vertical panels from backside (not shown). Then remove four boards marked "A".

Then relocate board marked "B" so bottom edge is 24 1/4" above deck surface.

Then cut two vertical boards marked "C" down to 33 1/4" so they are flush with top of relocated board "B".

Finally, add two 5/4" x 6" x 33 1/4" vertical panels (using #8 x 2 1/2" deck screws) on frontside so that tops are flush with the top of board "B".

***Caution: Gap between boards must not exceed 3 1/2" or a head entrapment could exist.***



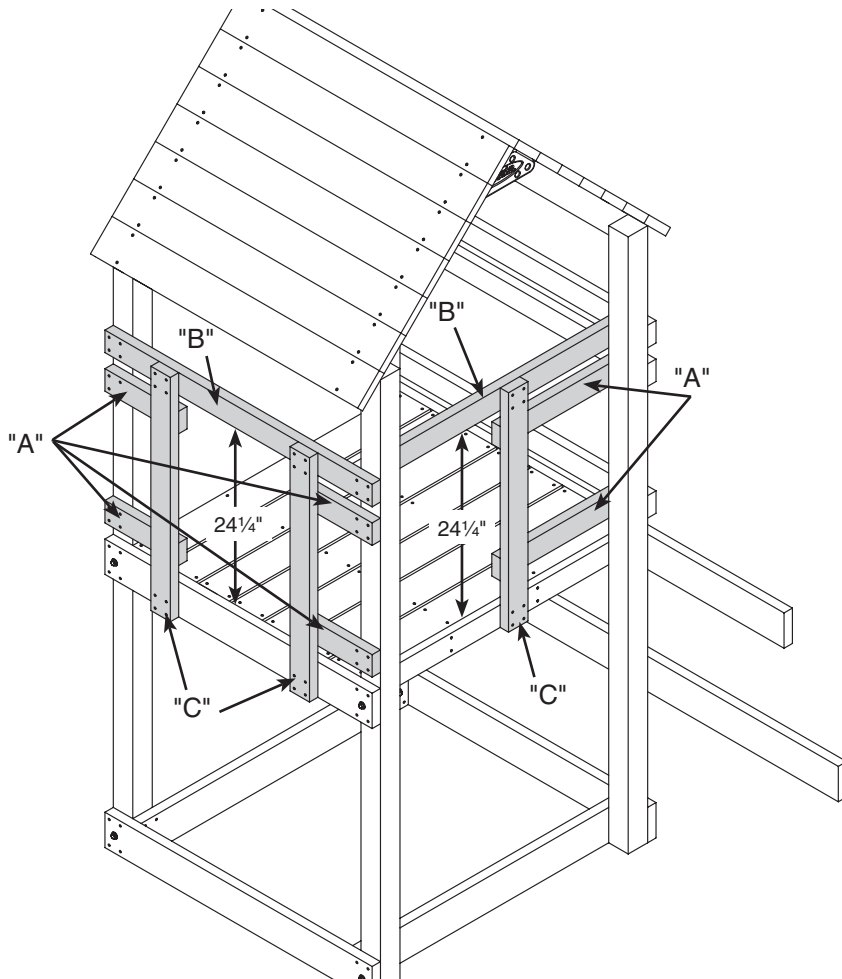
## **SUPER STAR - SILVER**

### **Items for Scoop Wave Slide Replacement:**

**Additional Materials Required (Purchase Separately) – 5/4" x 6" x 8' – One board required**

(2) 5/4" x 6" x 32 1/2" boards (cut from lumber listed above)

(8) #8 x 2 1/2" deck screws (reused from removed panels)



### **Scoop Wave Slide Replacement:**

Before tunnel installation, first remove two 5/4" x 6" x 24" vertical panels from front (not shown). Then remove two boards marked "A".

Then relocate board marked "B" so bottom edge is 24" above deck surface.

Then cut vertical board marked "C" down to 32 1/2" so it is flush with top of relocated board "B".

Finally, add two 5/4" x 6" x 32 1/2" vertical panels (using #8 x 2 1/2" deck screws) on front so that tops are flush with the top of board "B".

**Caution: Gap between boards must not exceed 3 1/2" or a head entrapment could exist.**

### **Items for Climbing Wall Replacement:**

**Additional Materials Required (Purchase Separately) – 5/4" x 6" x 8' – One board required**

(2) 5/4" x 6" x 33 1/4" boards (cut from lumber listed above)

(8) #8 x 2 1/2" deck screws (reused from removed panels)

### **Climbing Wall Replacement:**

Before tunnel installation, first remove two 5/4" x 6" x 24" vertical panels from backside (not shown). Then remove four boards marked "A".

Then relocate board marked "B" so bottom edge is 24 1/4" above deck surface.

Then cut two vertical boards marked "C" down to 33 1/4" so they are flush with top of relocated board "B".

Finally, add two 5/4" x 6" x 33 1/4" vertical panels (using #8 x 2 1/2" deck screws) on frontside so that tops are flush with the top of board "B".

**Caution: Gap between boards must not exceed 3 1/2" or a head entrapment could exist.**

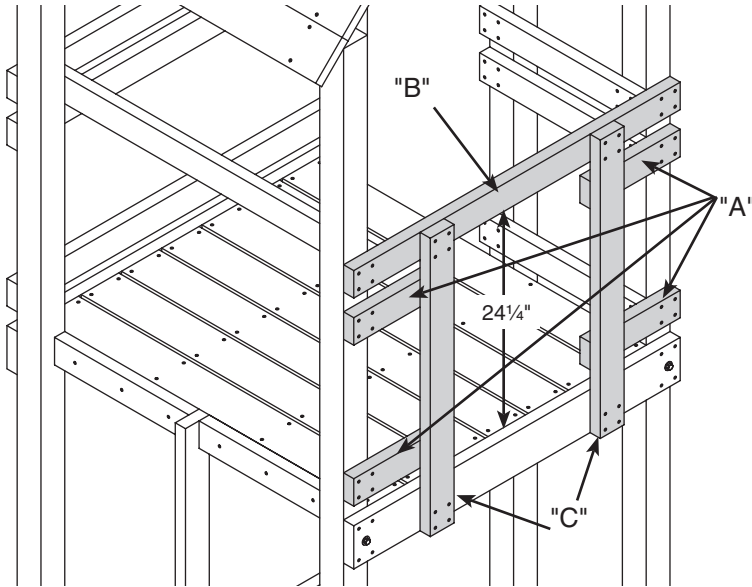
## SUPER STAR - SILVER

### Items for Giant Scoop Wave Slide Replacement:

**Additional Materials Required (Purchase Separately) – 5/4" x 6" x 8' – One board required**

(2) 5/4" x 6" x 33 1/4" boards (cut from lumber listed above)

(8) #8 x 2 1/2" deck screws (reused from removed panels)



### Giant Scoop Wave Slide Replacement:

Before tunnel installation, first remove two 5/4" x 6" x 24" vertical panels from backside (not shown). Then remove four boards marked "A".

Then relocate board marked "B" so bottom edge is 24 1/4" above deck surface.

Then cut two vertical boards marked "C" down to 33 1/4" so they are flush with top of relocated board "B".

Finally, add two 5/4" x 6" x 33 1/4" vertical panels (using #8 x 2 1/2" deck screws) on frontside so that tops are flush with the top of board "B".

**Caution: Gap between boards must not exceed 3 1/2" or a head entrapment could exist.**

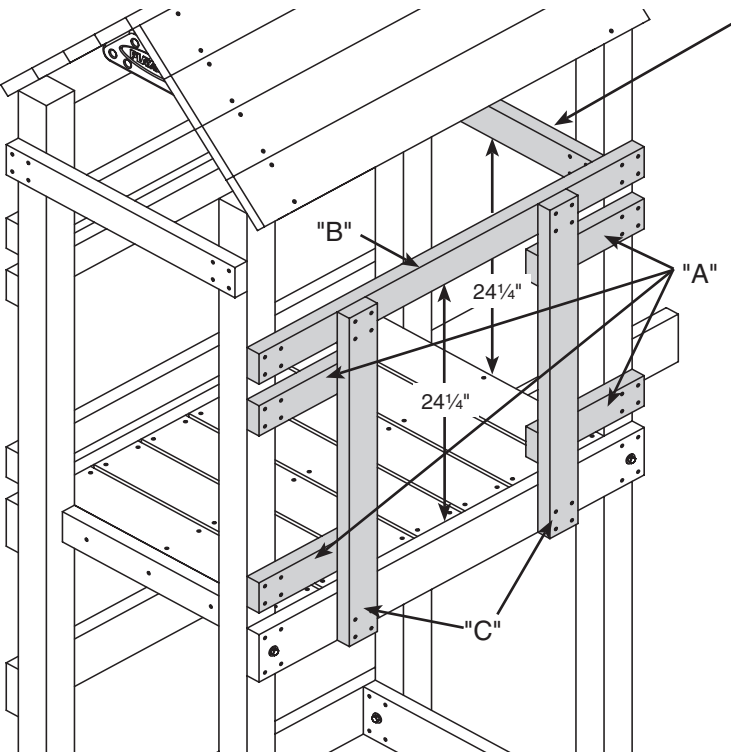
## SUPER STAR - BRONZE

### Items for Scoop Wave Slide Replacement:

**Additional Materials Required (Purchase Separately) – 5/4" x 6" x 8' – One board required**

(2) 5/4" x 6" x 33 1/4" boards (cut from lumber listed above)

(8) #8 x 2 1/2" deck screws (reused from removed panels)



### Climbing Step Replacement:

Before tunnel installation, relocate this board down so bottom edge is 24 1/4" above deck surface.

### Scoop Wave Slide Replacement:

Before tunnel installation, first remove two 5/4" x 6" x 24" vertical panels from backside (not shown). Then remove four boards marked "A".

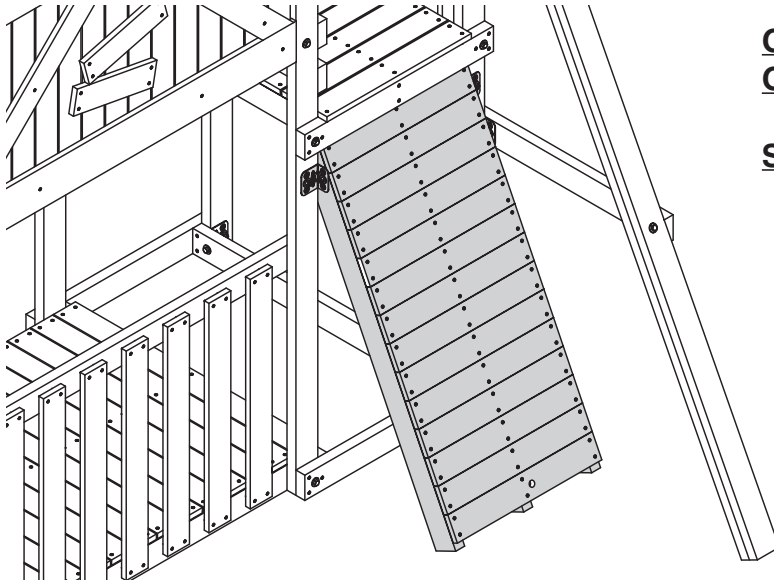
Then relocate board marked "B" so bottom edge is 24 1/4" above deck surface.

Then cut two vertical boards marked "C" down to 33 1/4" so they are flush with top of relocated board "B".

Finally, add two 5/4" x 6" x 33 1/4" vertical panels (using #8 x 2 1/2" deck screws) on frontside so that tops are flush with the top of board "B".

**Caution: Gap between boards must not exceed 3 1/2" or a head entrapment could exist.**

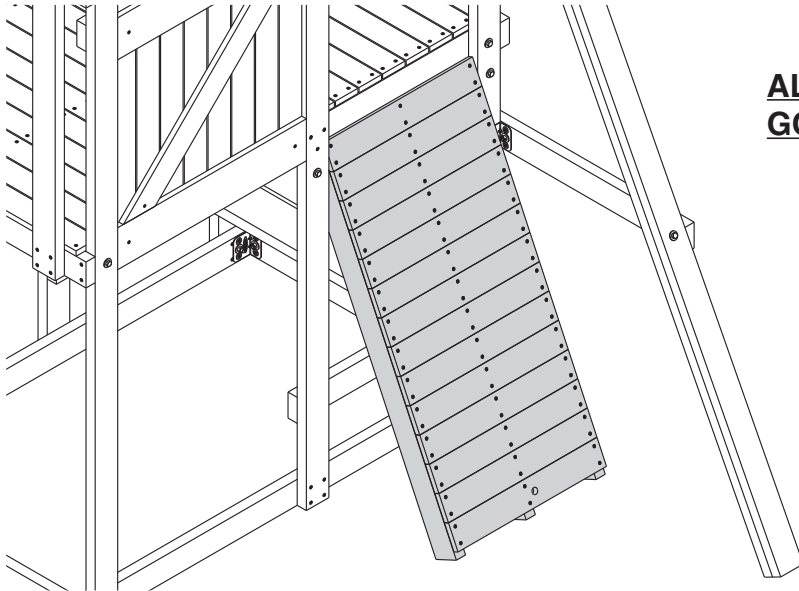
# Playset Modifications



**GREAT ESCAPE -**  
**GOLD, SILVER, BRONZE, & STARTER**

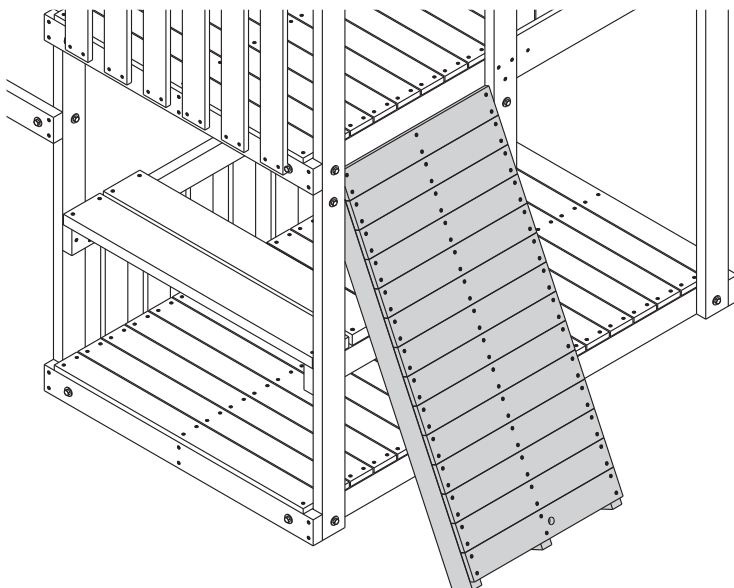
**SUMMIT - GOLD, SILVER, BRONZE**

Before Tunnel installation, remove Climbing Rock Wall and connecting corner brackets.



**ALL PRO -**  
**GOLD, SILVER, BRONZE, & STARTER**

Before Tunnel installation, remove Climbing Rock Wall and connecting corner brackets.



**GRAND SLAM -**  
**GOLD, SILVER, BRONZE, & STARTER**

Before Tunnel installation, remove Climbing Rock Wall and connecting corner brackets.



[www.playstarinc.com](http://www.playstarinc.com)

## LUMBER NOTICE – PLEASE READ

All boards have been properly dried and inspected for quality prior to packaging. Occasionally lumber develops a slight twist or bow. This can be straightened when attaching boards during the assembly process. If a severe twist or bow occurs, **do not return the board to the store.**

**Please call our Customer Service Department for immediate action.**

(Available Monday through Friday, 8:00 A.M. to 5:00 P.M. C.S.T.)

We Will Gladly Help!

**1-888-PLAYSTAR**

(752-9782)

*Thank you for choosing PlayStar.*

© 2020, 2014, 2009 PlayStar, Inc. Reproduction of this document in part or whole is prohibited without the permission of PlayStar, Inc.

Protected by one or more of the following United States or Foreign Patents: US D418,189; US D409,708; US D424,154; US D428,637; US 6,402,663; US D422,332; US D410,059; US 6,068,557; US 6,302,801; US 6,482,095; US 6,039,654; US D410,060; US D424,649; US 6,361,445; CA 2,304,345; US 6,540,645; US 6,709,365; US 6,942,600; US D513,779; US 6,991,550; CA D109,228; CA D109,224; CA D109,225; CA 2,304,113; US 6,629,907; US D517,636; US D518,530; US D520,590; US 5,205,591; US D534,613; US 7,186,183; US 7,189,034; US 7,253,951; US D548,760; US 7,304,810; CA D109,227; CA D109,226; CA D112,355; CA D113,437; CA D113,442; CA D114,067; CA D114,068; CA 2,304,896; CA D119,674; US D573,222; US 7,419,437; CA 2,304,068; CA 2,488,576; US D580,507; US D585,570; CA 2,490,923; CA 2,304,341; US 7,594,875; CA 2,304,043; CA 2,529,276; CA 2,633,628; CA 2,633,056; US 7,594,875; CA 2,498,701; CA 2,495,136; CA 2,488,600; CA 2,488,574